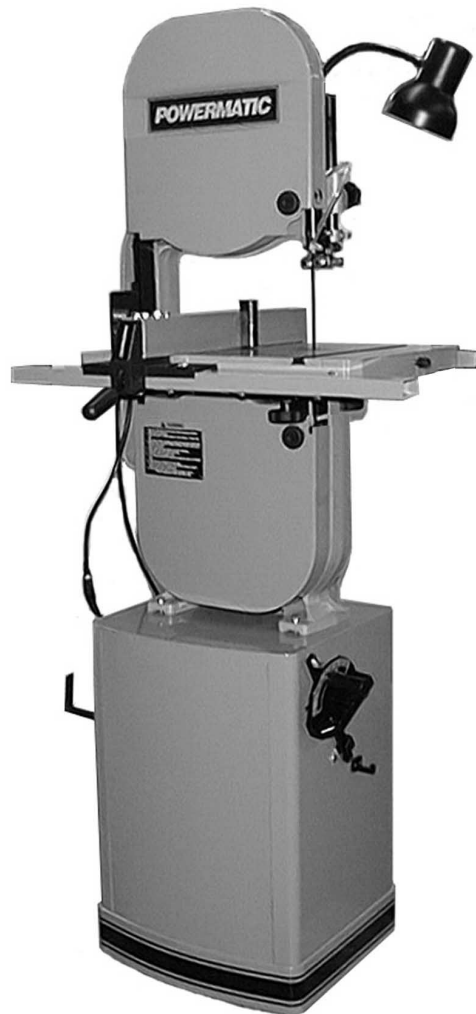


POWERMATIC®

WMH | TOOL GROUP

Operating Instructions and Parts Manual 14" Woodworking Band Saw

Model PWBS14



WMH TOOL GROUP

2420 Vantage Drive
Elgin, Illinois 60123
Ph.: 800-274-6848
www.wmhtoolgroup.com

Part No. M-1791216

Rev D 1/04

Copyright © WMH Tool Group

This manual has been prepared for the owner and operators of a Powermatic Model PWBS-14 Band Saw. Its purpose, aside from proper machine operation, is to promote safety through the use of acceptable operating and maintenance procedures. To obtain maximum life and efficiency from your band saw, and to aid in using the machine safely, read this manual thoroughly and follow all instructions carefully.

Warranty & Service

WMH Tool Group warrants every product it sells. If one of our tools needs service or repair, one of our Authorized Repair Stations located throughout the United States can give you quick service.

In most cases, any one of these WMH Tool Group Repair Stations can authorize warranty repair, assist you in obtaining parts, or perform routine maintenance and major repair on your JET, Performax, Powermatic or Wilton tools.

For the name of an Authorized Repair Station in your area, call 1-800-274-6848.

More Information

WMH Tool Group is consistently adding new products to the line. For complete, up-to-date product information, check with your local WMH Tool Group distributor or visit wmhtoolgroup.com.

Limited Warranty

WMH Tool Group (including JET, Performax, Powermatic and Wilton brands) makes every effort to assure that its products meet high quality and durability standards and warrants to the original retail consumer/purchaser of our products that each product be free from defects in materials and workmanship as follows: 1 YEAR LIMITED WARRANTY ON ALL PRODUCTS UNLESS SPECIFIED OTHERWISE. This warranty does not apply to defects due directly or indirectly to misuse, abuse, negligence or accidents, normal wear-and-tear, repair or alterations outside our facilities, or to a lack of maintenance.

WMH TOOL GROUP LIMITS ALL IMPLIED WARRANTIES TO THE PERIOD SPECIFIED ABOVE, FROM THE DATE THE PRODUCT WAS PURCHASED AT RETAIL. EXCEPT AS STATED HEREIN, ANY IMPLIED WARRANTIES OR MERCHANTABILITY AND FITNESS ARE EXCLUDED. SOME STATES DO NOT ALLOW LIMITATIONS ON HOW LONG THE IMPLIED WARRANTY LASTS, SO THE ABOVE LIMITATION MAY NOT APPLY TO YOU. WMH TOOL GROUP SHALL IN NO EVENT BE LIABLE FOR DEATH, INJURIES TO PERSONS OR PROPERTY, OR FOR INCIDENTAL, CONTINGENT, SPECIAL, OR CONSEQUENTIAL DAMAGES ARISING FROM THE USE OF OUR PRODUCTS. SOME STATES DO NOT ALLOW THE EXCLUSION OR LIMITATION OF INCIDENTAL OR CONSEQUENTIAL DAMAGES, SO THE ABOVE LIMITATION OR EXCLUSION MAY NOT APPLY TO YOU.

To take advantage of this warranty, the product or part must be returned for examination, postage prepaid, to an Authorized Repair Station designated by our office. Proof of purchase date and an explanation of the complaint must accompany the merchandise. If our inspection discloses a defect, WMH Tool Group will either repair or replace the product, or refund the purchase price if we cannot readily and quickly provide a repair or replacement, if you are willing to accept a refund. WMH Tool Group will return repaired product or replacement at our expense, but if it is determined there is no defect, or that the defect resulted from causes not within the scope of our warranty, then the user must bear the cost of storing and returning the product. This warranty gives you specific legal rights; you may also have other rights, which vary from state to state.

WMH Tool Group sells through distributors only. WMH Tool Group reserves the right to effect at any time, without prior notice, those alterations to parts, fittings, and accessory equipment which they may deem necessary for any reason whatsoever.

TABLE OF CONTENTS

Safety Rules.....	4-5
Safety Decal.....	6
Grounding Instructions.....	7-8
Specifications.....	9
Dimensions	10
Receiving	11
Installation & Assembly	11
Mounting Rails & Rip Fence	16
Tilting the Table	19
Adjusting 90° Table Stop	19
Changing Blades	20
Adjusting Blade Tension.....	21
Adjusting Blade Tracking.....	21
Adjusting Upper Blade Guide Assembly	22
Adjusting Upper Blade Guide & Blade Support Bearing	22
Adjusting Lower Blade Guide & Blade Support Bearing	23
Miter Gauge	23
Trouble-Shooting.....	24
Optional Accessories.....	25
Replacement Parts & Service.....	26
Parts Lists & Exploded Views:	
Body Assembly.....	27-30
Miter Gauge Assembly.....	31
Table & Trunnion Assembly.....	32-33
Blade Tension Lever.....	34-35
Closed Stand Assembly.....	36-37
Fence & Rail Assembly.....	38-39

SAFETY RULES

As with all machines, there is a certain amount of hazard involved with the use of this band saw. Use the machine with the respect and caution demanded where safety precautions are concerned. When normal safety precautions are overlooked or ignored, personal injury to the operator can result.

- **READ, UNDERSTAND AND FOLLOW** the safety and operating instructions found in this manual. Know the limitations and hazards associated with this machine.
- **KEEP GUARDS IN PLACE** and in working order.
- **REMOVE ADJUSTING KEYS AND WRENCHES.** Form the habit of checking to see that keys and adjusting wrenches are removed from the tool before turning it on.
- **KEEP THE WORK AREA CLEAN.** Cluttered areas and benches invite accidents.
- **DO NOT USE IN A DANGEROUS ENVIRONMENT.** Don't use power tools in damp or wet locations, or expose them to rain. Keep work area well lighted.
- **KEEP CHILDREN AWAY.** All visitors should be kept safe distance from the work area.
- **MAKE THE WORKSHOP KID PROOF** with padlocks, master switches, or by removing starter keys.
- **DON'T FORCE THE TOOL.** It will do the job better and safer at the rate for which it was designed.
- **USE THE RIGHT TOOL.** Don't force a tool or attachment to do a job for which it was not designed.
- **USE THE PROPER EXTENSION CORD.** Make sure you extension cord is in good condition. When using an extension cord, be sure to use one heavy enough to carry the current your product will draw. An undersize cord will cause a drop in the line voltage resulting in loss of power and overheating. The table below shows the correct size to use depending on cord length and nameplate ampere rating. If in doubt, use the next heavier gauge. The smaller the gauge number, the heavier the cord.

Cord Length		Cord Gauge
115 volt	230 volt	
25'	50'	16 AWG
50'	100'	16 AWG
100'	200'	14 AWG
150'	300'	12 AWG

- **WEAR PROPER APPAREL.** Do not wear loose clothing, gloves, neckties, rings, bracelets, or other jewelry which may get caught in moving parts. Nonslip footwear is recommended. Wear protective hair covering to contain long hair.
- **ALWAYS USE SAFETY GLASSES.** Also use face or dust masks if the cutting operation is dusty. Everyday eyeglasses only have impact resistant lenses, they are NOT safety glasses.
- **SECURE WORK.** Use clamps or a vise to hold the work when its practical. It's safer than using your hand and it frees both hands to operate the tool.
- **DON'T OVERREACH.** Keep proper footing and balance at all times.

- **MAINTAIN TOOLS WITH CARE.** Keep tools sharp and clean for best and safest performance. Follow instructions for lubricating and changing accessories.
- **DISCONNECT TOOLS** before servicing; when changing accessories, such as blades, bits cutters, and the like.
- **REDUCE THE RISK OF UNINTENTIONAL STARTING.** Make sure the switch is in the off position before plugging in the machine.
- **USE RECOMMENDED ACCESSORIES.** Consult the owner's manual for recommended accessories. The use of improper accessories may cause a risk of injury.
- **NEVER STAND ON A TOOL.** Serious injury could occur if the tool is tipped or if the cutting tool is unintentionally contacted.
- **CHECK DAMAGED PARTS.** Before further use of the tool, a guard or other part that is damaged should be carefully checked to determine that it will operate properly and perform its intended function. Check for alignment of moving parts, binding of moving parts, breakage of parts, mounting, and any other conditions that may affect its operation. A guard or other part that is damaged should be properly repaired or replaced.
- **DIRECTION OF FEED.** Feed work into a blade or cutter against the direction of rotation of the blade or cutter only.
- **NEVER LEAVE THE TOOL RUNNING UNATTENDED. TURN THE POWER OFF.** Don't leave the tool until it comes to a complete stop.
- **DRUGS, ALCOHOL, MEDICATION.** Do not operate this machine while under the influence of drugs, alcohol, or any medication.
- **HEALTH HAZARDS.** Some dust created by power sanding, sawing, grinding, drilling and other construction activities contains chemicals known to cause cancer, birth defects or other reproductive harm. Some examples of these chemicals are:
 - * Lead from lead-based paint.
 - * Crystalline silica from bricks and cement and other masonry products.
 - * Arsenic and chromium from chemically-treated lumber.

Your risk from these exposures varies, depending on how often you do this type of work. To reduce your exposure to these chemicals, work in a well-ventilated area, and work with approved safety equipment, such as those dust masks that are specifically designed to filter out microscopic particles.

Familiarize yourself with the following safety notices used in this manual:



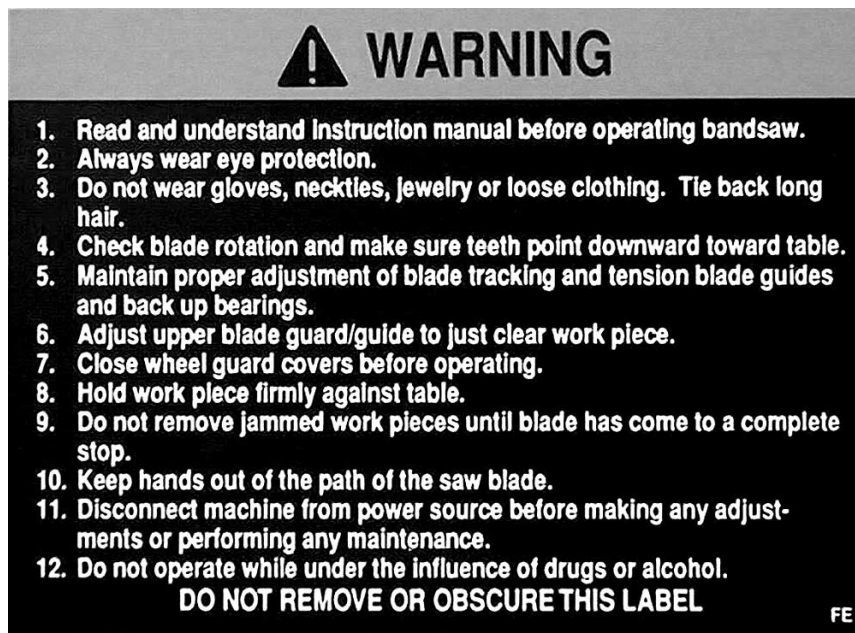
CAUTION: (This means that if precautions are not heeded, it may result in minor or moderate injury and/or possible machine damage)



WARNING: (This means that if precautions are not heeded, it could result in serious injury or possibly even death).

SAFETY

Familiarize yourself with the location and content of this decal on your machine.



! WARNING

1. Read and understand instruction manual before operating bandsaw.
2. Always wear eye protection.
3. Do not wear gloves, neckties, jewelry or loose clothing. Tie back long hair.
4. Check blade rotation and make sure teeth point downward toward table.
5. Maintain proper adjustment of blade tracking and tension blade guides and back up bearings.
6. Adjust upper blade guard/guide to just clear work piece.
7. Close wheel guard covers before operating.
8. Hold work piece firmly against table.
9. Do not remove jammed work pieces until blade has come to a complete stop.
10. Keep hands out of the path of the saw blade.
11. Disconnect machine from power source before making any adjustments or performing any maintenance.
12. Do not operate while under the influence of drugs or alcohol.

DO NOT REMOVE OR OBSCURE THIS LABEL

FE

Fig. 1

Grounding Instructions

Caution: This tool must be grounded while in use to protect the operator from electric shock.

In the event of a malfunction or breakdown, grounding provides a path of least resistance for electric current to reduce the risk of electric shock. This tool is equipped with an electric cord having an equipment-grounding conductor and a grounding plug. The plug must be plugged into a matching outlet that is properly installed and grounded in accordance with all local codes and ordinances.

Do not modify the plug provided. If it will not fit the outlet, have the proper outlet installed by a qualified electrician.

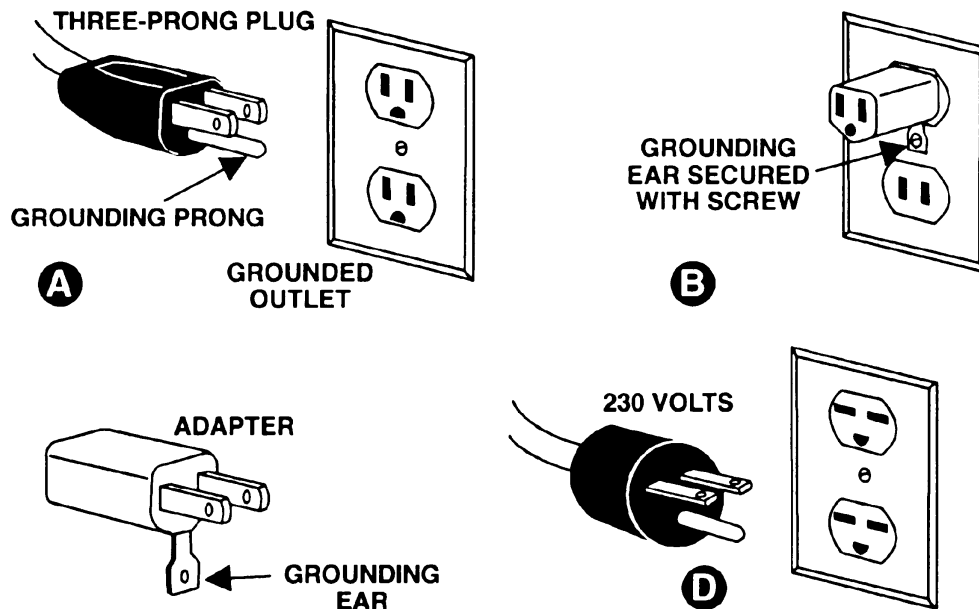
Improper connection of the equipment-grounding conductor can result in a risk of electric shock. The conductor, with insulation having an outer surface that is green with or without yellow stripes, is the equipment-grounding conductor. If repair or replacement of the electric cord or plug is necessary, do not connect the equipment-grounding conductor to a live terminal.

Check with a qualified electrician or service personnel if the grounding instructions are not completely understood, or if in doubt as to whether the tool is properly grounded. Use only three wire extension cords that have three-prong grounding plugs and three-pole receptacles that accept the tool's plug.

Repair or replace a damaged or worn cord immediately.

115 Volt Operation

As received from the factory, your bandsaw is ready to run at 115 volt operation. This bandsaw, when wired for 115 volts, is intended for use on a circuit that has an outlet and a plug that looks the one illustrated in Figure A. A temporary adapter, which looks like the adapter as illustrated in Figure B, may be used to connect this plug to a two-pole receptacle, as shown in Figure B if a properly grounded outlet is not available. The temporary adapter should only be used until a properly grounded outlet can be installed by a qualified electrician. **This adapter is not applicable in Canada.** The green colored rigid ear, lug, or tab, extending from the adapter, must be connected to a permanent ground such as a properly grounded outlet box, as shown in Figure B.



230 Volt Operation

If 230V, single-phase operation is desired, the following instructions must be followed:

1. **Disconnect the machine from the power source.**
2. This band saw is supplied with four motor leads that are connected for 115V operation, as shown in Figure A. Reconnect these four motor leads for 230V operation, as shown in Figure B.
3. The 115V attachment plug (A), supplied with the band saw, must be replaced with a UL/CSA listed plug suitable for 230V operation (D). Contact your local authorized WMH Tool Group service center or qualified electrician for proper procedures to install the plug. The band saw must comply with all local and national codes after the 230 volt plug is installed.
4. The band saw with a 230 volt plug should only be connected to an outlet having the same configuration (D). No adapter is available or should be used with the 230 volt plug.

Important: In all cases (115 or 230 volts), make certain the receptacle in question is properly grounded. If you are not sure, have a registered electrician check the receptacle.

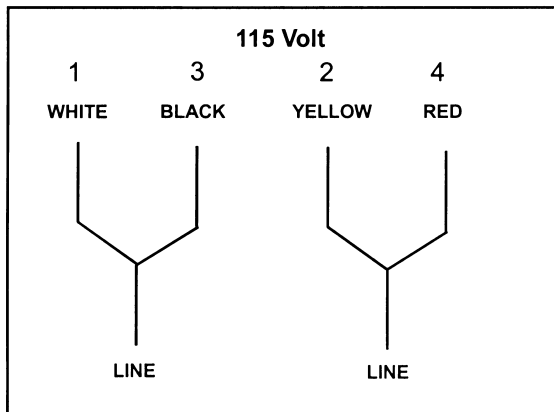


FIGURE A

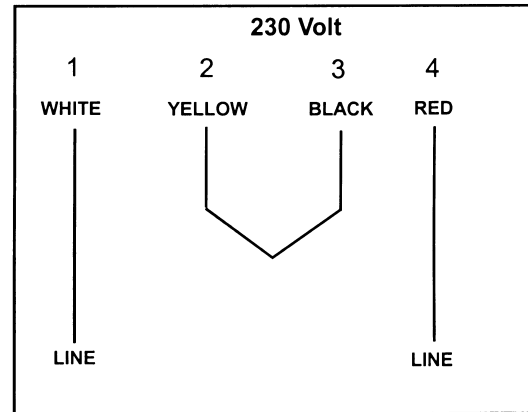
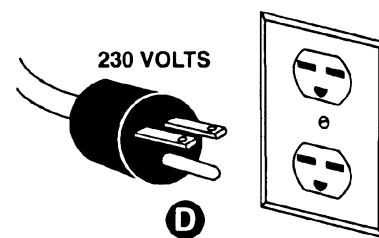
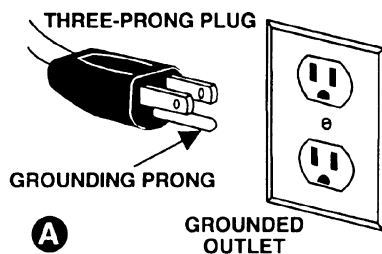


FIGURE B



SPECIFICATIONS: PWBS-14 Band Saw

Stock Number	1791216K
Cutting Capacity	6" H x 13-1/2" W
Minimum Saw Blade width	1/8"
Maximum Saw Blade width	3/4"
Blade Length	93-1/2"
Table Size	15" L x 15" W
Extension Table Size.....	15" L x 5-1/2" W
Blade Speed.....	3,000 SFPM
Table Tilt	45° to 0° (right to left)
Table Height from Floor.....	44"
Dust Chute Diameter	4" O.D.
Overall Dimensions.....	68" H x 34" W x 20" D
Motor (TEFC)	1.5 HP, 1 Ph, 115/230V, 60 Hz, 4P
Net Weight:	
Body	166 lbs
Closed Stand	84 lbs
Gross Weight:	
Body	178 lbs
Closed Stand	87.5 lbs

NOTE: The above specifications were current at the time this manual was published, but because of our policy of continuous improvement, Powermatic reserves the right to change specifications without notice and without incurring obligations.

PWBS-14 Band Saw Dimensions

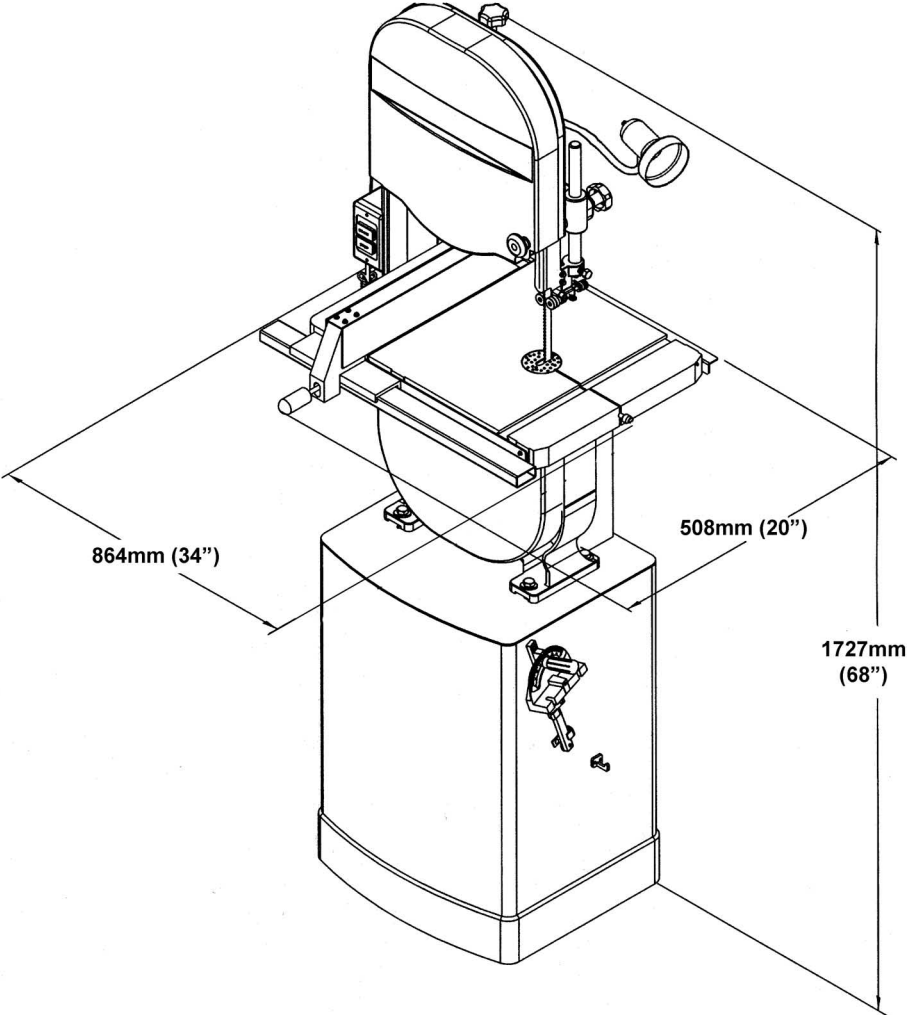


Fig. 1A

RECEIVING

Open shipping container and check for shipping damage. Report any damage immediately to your distributor and shipping agent. Read the instruction manual thoroughly for assembly, maintenance and safety instructions.

Contents:

Container #1

- 1 saw body
- 1 v-belt
- 1 trunnion support
- 1 main table
- 1 extension table
- 2 table lock knobs
- 1 table pin
- 1 work light
- 1 blade hook
- 2 fence hooks
- 2 miter gauge hooks
- 1 bag of fasteners
- 1 rip fence & rail assembly
- 1 blade tension handle
- 1 instruction manual
- 1 warranty card

Container #2

- 1 stand with motor
- 1 miter gauge
- 1 pulley cover
- 1 fence body

INSTALLATION & ASSEMBLY

Tools required

- 3/8" to 1" combination wrench set and adjustable wrench
- 3mm hex wrench
- #1 and #2 cross point screwdrivers

NOTE: If further clarification is needed for any of the following assembly procedures, consult the exploded views at the back of this manual.

1. Remove loose items from inside of stand.
2. Place cabinet stand upright on a level surface. If desired, the stand can be further stabilized by securing it to the floor with lag screws through the inside corner holes. If using a mobile base, lock the casters before assembling or operating the band saw.

- With the aid of a second person, lift the saw body out of the shipping container and place on top of the stand. Be sure front of saw (with Powermatic logo) faces curved stand front.

⚠ WARNING

Saw body is heavy! Use caution when lifting and stabilize until firmly attached to the stand! Failure to comply may cause serious injury!

- Line up holes in the saw body with holes in the top of the stand. Fasten saw body to the stand with four M8 x 40 hex cap screws, eight M8 washers, four M8 lock washers, and four M8 hex nuts (Fig. 2)
- Push motor cord and strain relief plate through the opening in the side of the stand. Fasten the strain relief plate to the stand with two M5 x 12 pan head screws as shown in Fig. 3.
- Connect the plugs of the switch cord and motor cord (Fig. 3). **Do not connect machine to power source during assembly.**
- Check the alignment of the pulleys by placing a straight edge against the flat sides of the motor and wheel pulleys (Fig. 3a). If the pulleys lie in a straight plane (Fig. 3b) they are aligned. If they do not lie in a straight plane, loosen the set screw on one of the pulleys and shift the pulley in or out until both pulleys lie in a straight plane. Tighten set screws.
- Open the lower door, and place the v-belt around the motor pulley and the wheel pulley (see Fig. 3a).

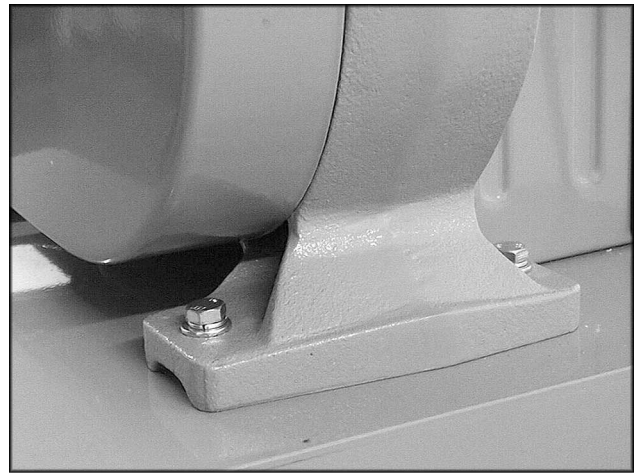


Fig. 2

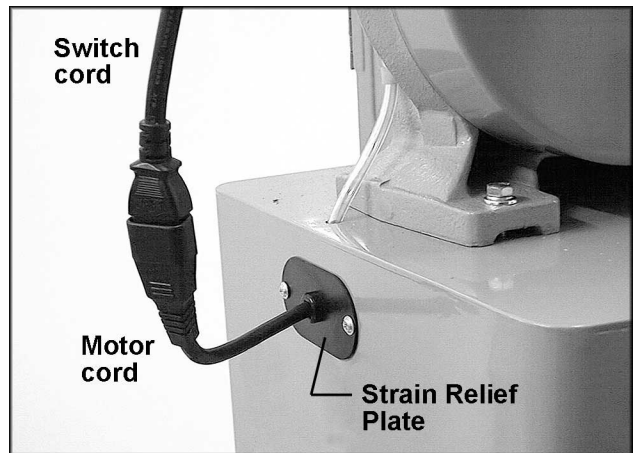


Fig. 3

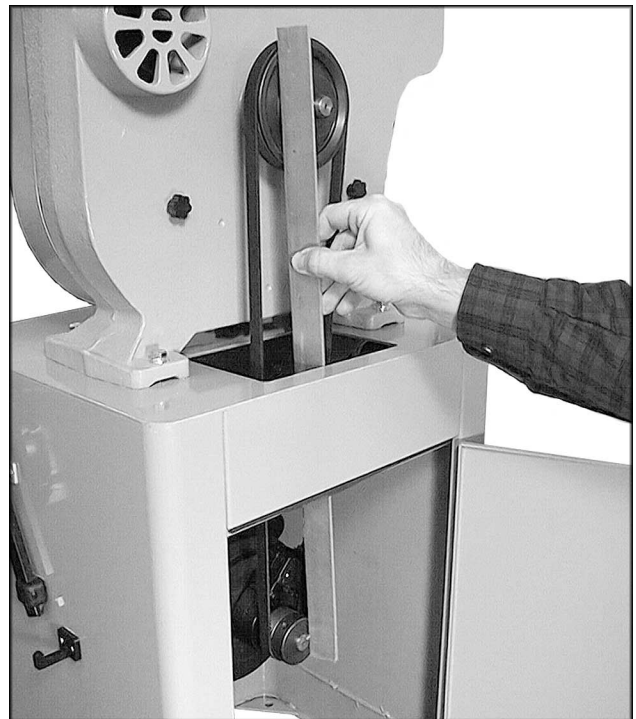


Fig. 3a

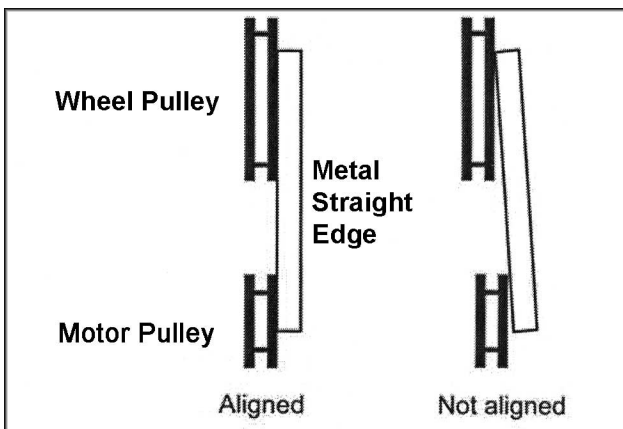


Fig. 3b

- Loosen the nuts on the four motor mounting bolts (Fig. 4), and tension the v-belt by pushing down on the motor. Tighten the four motor mounting nuts.

The v-belt is properly tensioned when finger pressure between the two pulleys causes approximately 1/2" deflection (Fig. 4a).

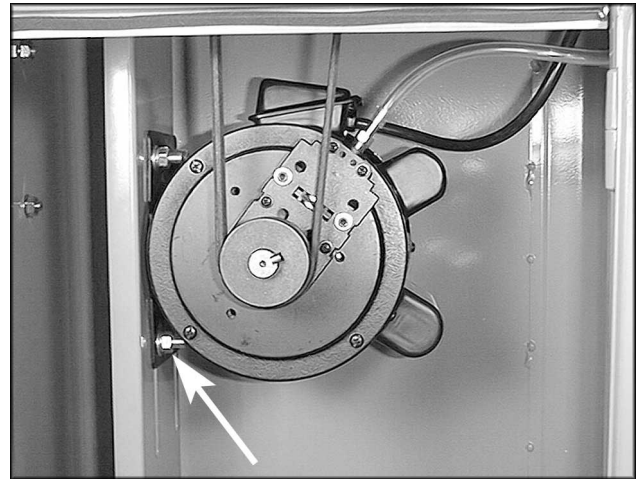


Fig. 4

- Screw the two small knobs (Fig. 5) into the threaded holes in the saw body. Slide the pulley cover down over the knobs, and tighten the knobs.

- Attach trunnion support to saw body with two M8 x 30 hex cap screws and two M8 lock washers (A, Fig. 6).

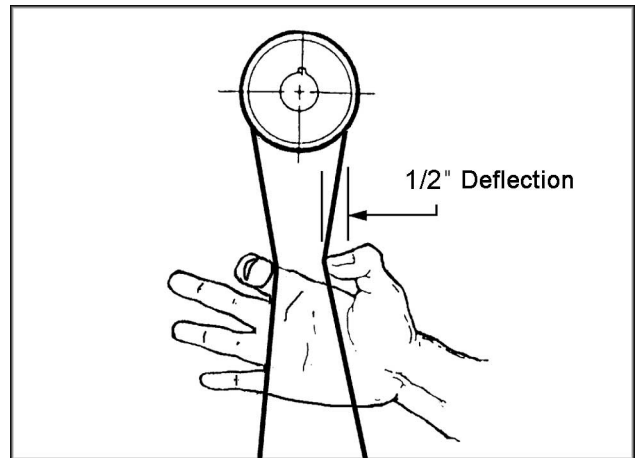


Fig. 4a

- Thread nut (B, Fig. 6) onto table stop bolt (C, Fig. 6) and attach to trunnion support as shown.

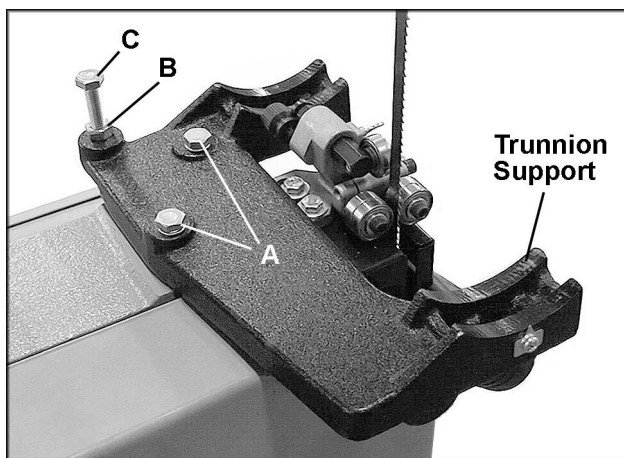


Fig. 6

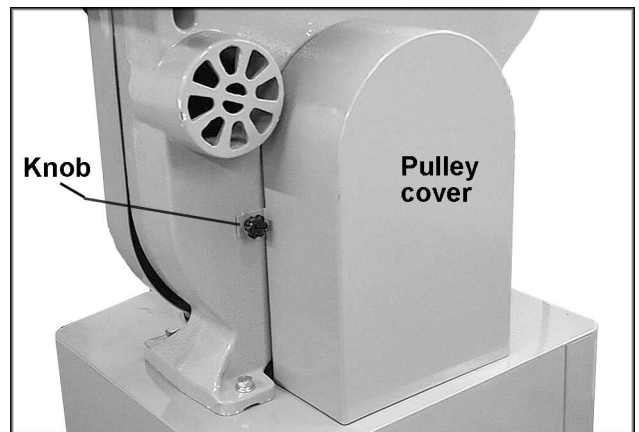


Fig. 5

13. To mount the main table, remove pin and insert from the table (Fig. 8).
14. Rotate the table so that the saw blade will slide through the slot in the table. Then orient the table so the screws will slide into the holes on the trunnion support. Attach lock knobs to these screws (Fig. 7).

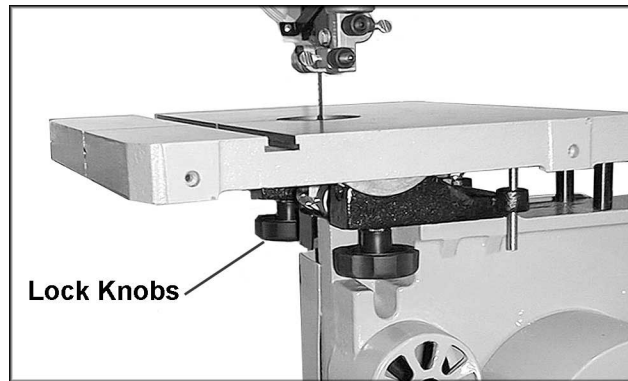


Fig. 7

15. Replace pin and insert (Fig. 8).

16. Loosen lock knobs on the main table and tilt the main table out of the way. Mount the extension table (Fig. 9) with four M8 x 65 socket head cap screws (A, Fig. 9). Insert four M6 x 25 socket head cap screws (B, Fig. 9) with flat washers and lock washers through the plate and into bottom of extension table. Insert four set screws (C, Fig. 9) with hex nuts into outer holes.

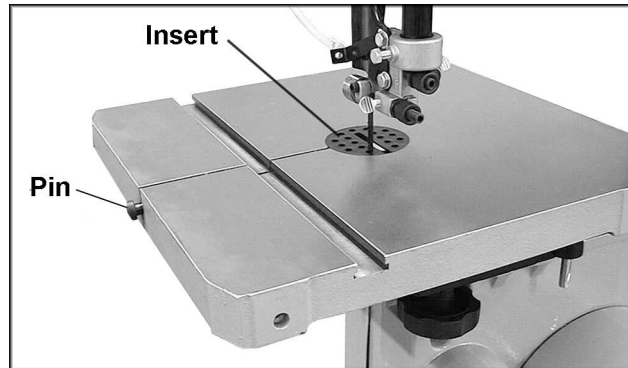


Fig. 8

17. Tilt the main table back to level position. The extension table should be an appropriate distance from the main table to prevent interfering with the tilting of the main table. Loosen the four hex cap screws (B, Fig. 9) to adjust the gap between the extension table and the main table. This gap can be properly set by using the L-spacers (Fig. 9a). Place the L-spacers between the tables as shown, and push the extension table toward the main table as far as it will go. Tighten the hex cap screws (B, Fig. 9) and remove the L-spacers.

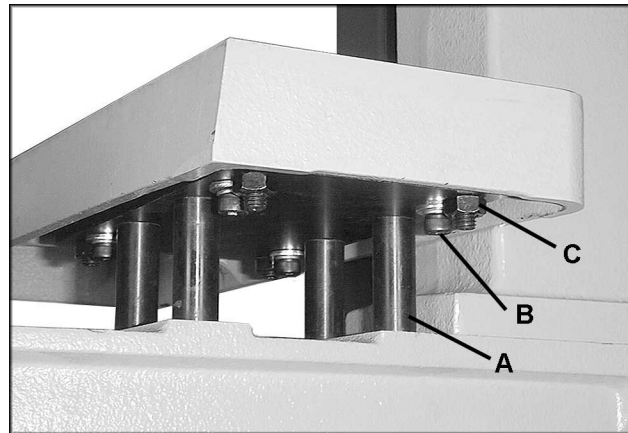


Fig. 9

18. The extension table must also be leveled with the main table. Place a straight edge (Fig. 9a) across both tables. To raise or lower the height of the extension table, loosen the hex nuts and turn the set screws (C, Fig. 9). NOTE: Before leveling the extension table, the 90-degree stop of the main table should be checked and adjusted if necessary. See page 19.

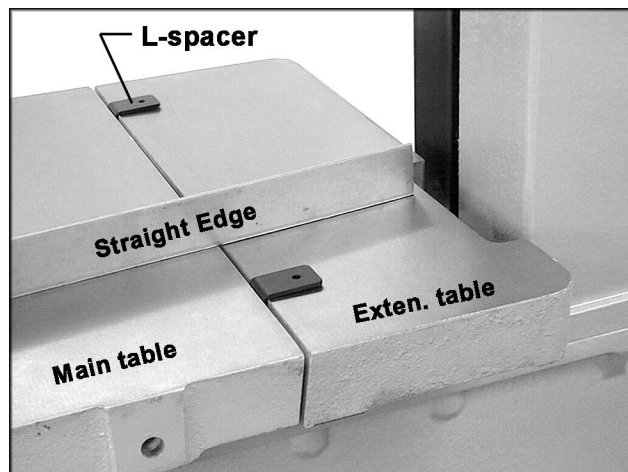


Fig. 9a

19. When finished leveling the extension table, re-tighten hex nuts and set screws (C, Fig. 9).

20. The air hose, which is already connected to the saw body, should be inserted through the hole in the stand and connected to the nozzle of the air regulator (Fig. 10). Use a lighter or match to briefly heat the end of the hose so that it will slip over the nozzle. As it cools, it will form a tight seal over the nozzle.

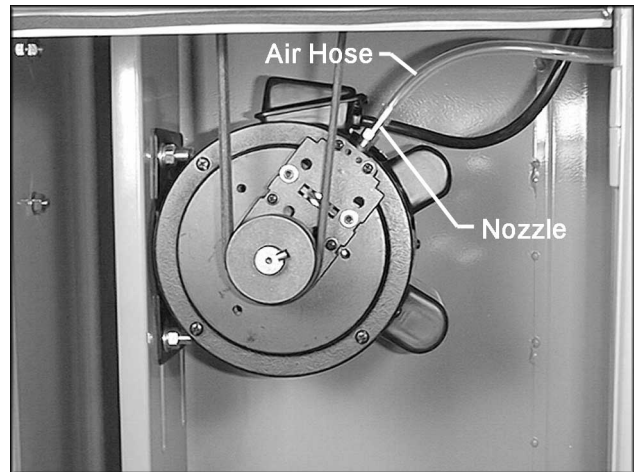


Fig. 10

21. Connect the top end of the air hose to the blade guide assembly with the pan head screw through the cord clamp (Fig. 10a). Again, use a lighter or match to heat the end of the hose before pushing the nozzle into it. NOTE: Push the wide end of the nozzle into the hose; the tapered end will be pointed down toward the table as shown.

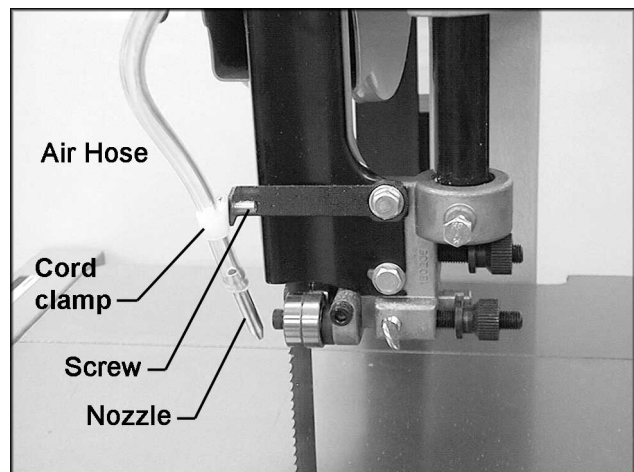


Fig. 10a

22. Mount the work lamp to the saw body with two M5 x 8 pan head screws (Fig. 11). The work lamp uses a medium base light bulb (not provided) which should be 60 watts or less.

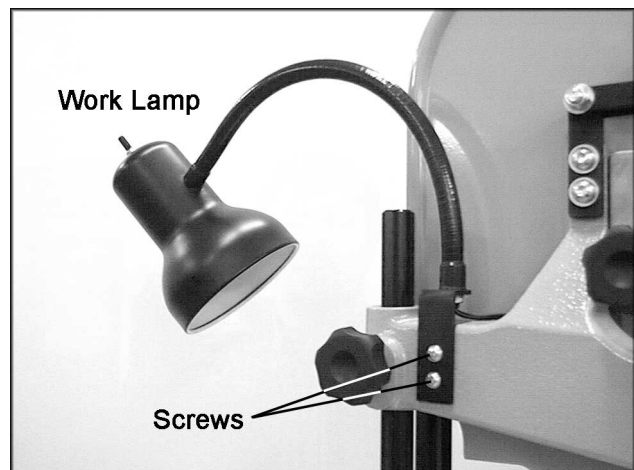


Fig. 11

23. Install blade tension lever (Fig. 11a) and tighten the set screws, using a 3mm hex wrench. The movement of the blade tension lever is explained under “Changing Blades”.

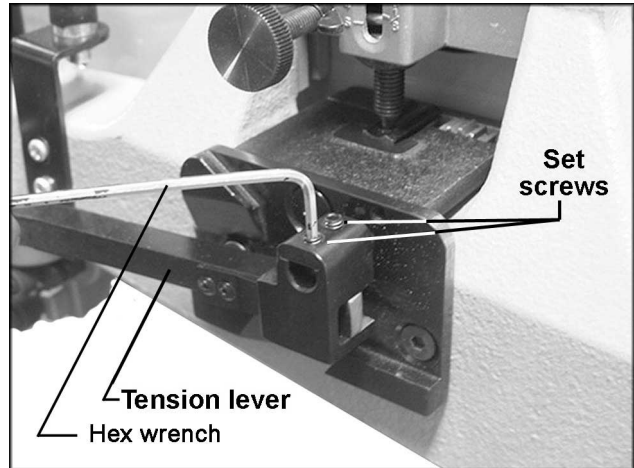


Fig. 11a

24. Mount the two miter gauge hooks (A, Fig. 12) to the side of the stand with two M8 x 16 carriage bolts and two flanged hex nuts. When not in use, the miter gauge can be placed in these hooks (see “Miter Gauge”, page 23).

25. Mount the blade hook (C, Fig. 12) with two M4 x 10 pan head screws as shown. The blade hook will hold a rolled-up spare blade.

26. Mount the two fence hooks (B, Fig. 12) to the opposite side of the stand with two M8 x 16 carriage bolts and two flanged hex nuts. When not in use, the rip fence can be placed in these hooks.

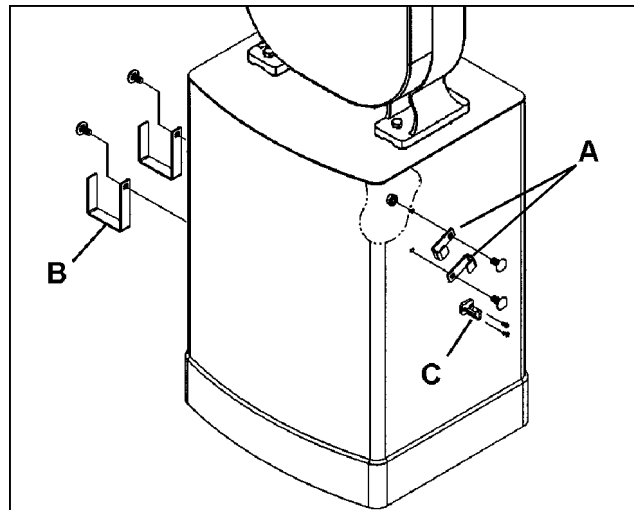


Fig. 12

27. Transportation and handling may have caused some fasteners to loosen. Before operating, check all screws, bolts, and nuts to make sure they are snug. Operate machine only after reading the entire manual including blade tracking, blade guide adjustments, and safety rules.

Mounting Rails & Rip Fence

1. Disconnect machine from power source.
2. Mount rear rail (A, Fig. 13) to the band saw table using two M6 x 20 hex cap screws, two 1/4" lock washers and two 1/4" flat washers (B, Fig. 13). Do not tighten yet.

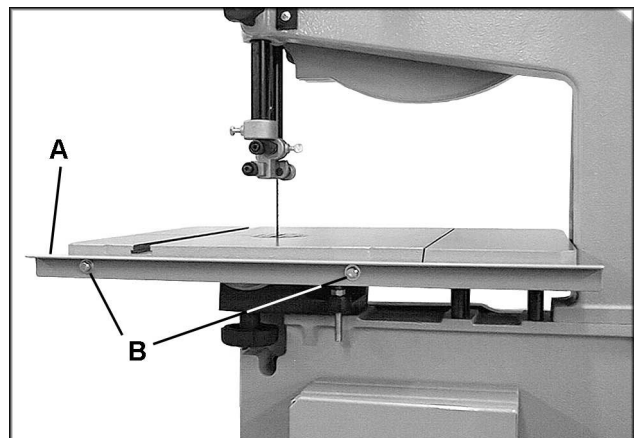


Fig. 13

3. Mount front rail (A, Fig. 14) to the band saw table using two M6 x 20 hex cap screws, two 1/4" lock washers and two 1/4" flat washers (B, Fig. 14). Do not tighten yet.

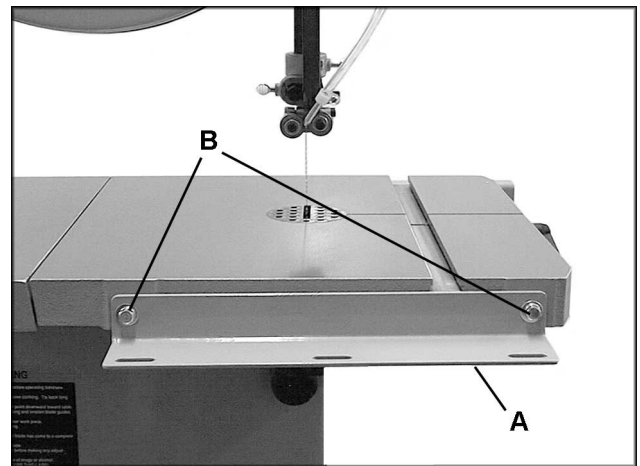


Fig. 14

4. Mount guide rail (A, Fig. 15) to the front rail using three M6 x 20 hex cap screws, three 1/4" lock washers and three 1/4" flat washers. Tighten the screws to secure the guide rail to the front fence.

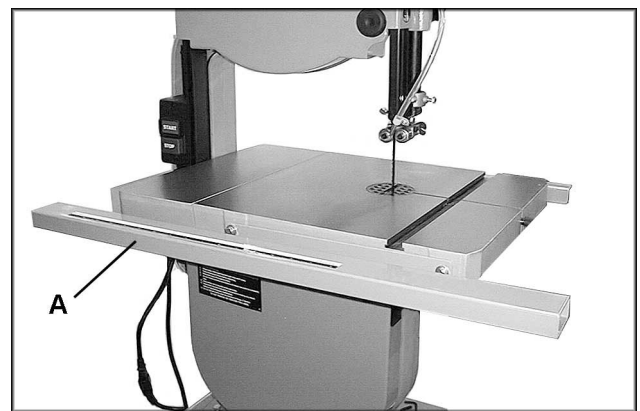


Fig. 15

5. Attach the fence to the fence body using four hex cap screws, four lock washers and four flat washers (A, Fig. 16). Tighten the screws. Lift up on the fence handle and set the fence assembly onto the table and guide rail.

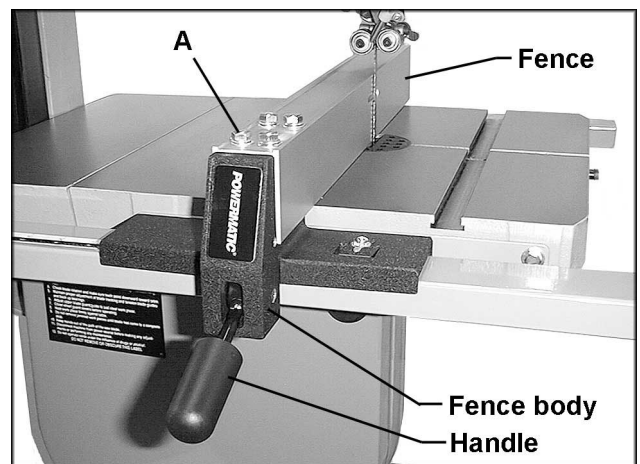


Fig. 16

6. Thread a hex nut (A, Fig. 17) onto the sliding pad (B, Fig. 17) and insert through the fence and rear hook (C, Fig. 17). Secure in place using a hex nut, lock washer and flat washer (D, Fig. 17). The hook (C, Fig. 17) should be adjusted so that it overlaps the rear rail by approximately 1/8".
7. When the fence assembly is placed on the table, the rear hook (C, Fig. 17) should engage the rear rail.
8. The gap between the bottom of the rip fence and the table top should be just enough that the fence will not scrape along the table, and the gap should be equal along the length of the fence. To do this, lock the fence assembly to the front rail by pushing down on the fence handle. The rail screws should still have "play" in them.
9. Lift up on both guide rail and fence together until the gap at the front edge of the table is acceptable. Tighten both screws on the front rail (B, Fig. 14).
10. Also adjust the "play" of the rear rail (B, Fig. 13) until the fence/table gap is equal. The rails and rip fence should now be at the proper height in relation to the table. Of course, the rear hook (Fig. 17) can be adjusted further to help make the fence/table gap equal.
11. Use a square to check that the fence is perpendicular to the table top (A, Fig. 18). If it is not, one end of the front and/or rear rails will need to be loosened and raised or lowered to make the rail (and thus the fence) parallel with the table top.
12. Position the fence so that it just contacts the blade without bending it (see Fig. 19), and lock the fence handle to the guide rail. If the fence is not parallel to the blade, loosen the four hex cap screws (A, Fig. 19). Align the fence with the blade and tighten the four hex cap screws.
13. With the fence still contacting the blade as shown, check to see that the pointer (B, Fig. 19) is aligned with the zero marking on the guide rail. If adjustment is necessary, loosen the screw that holds the pointer in place, and slide the pointer. If greater adjustment is necessary, loosen the guide rail and slide it as needed. Re-tighten guide rail screws.

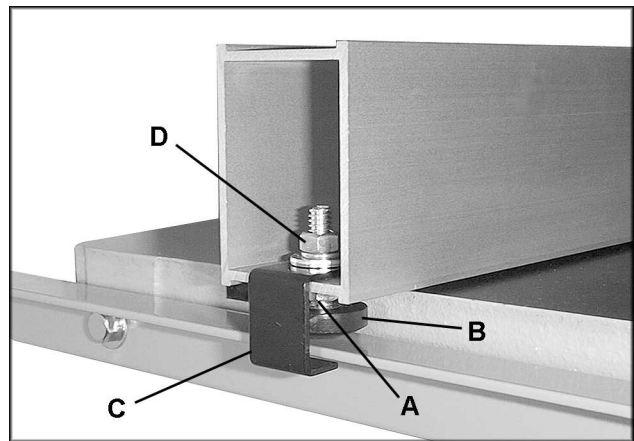


Fig. 17

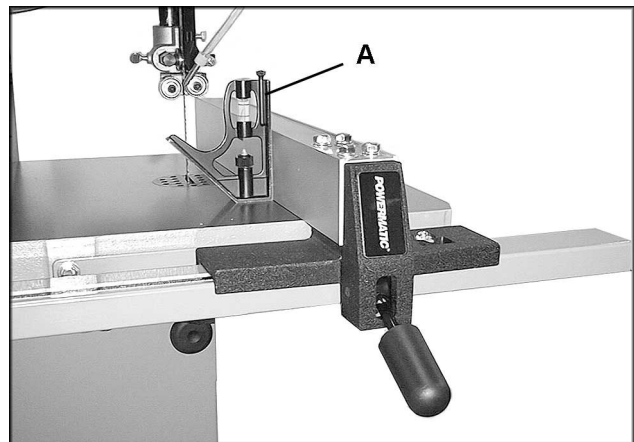


Fig. 18

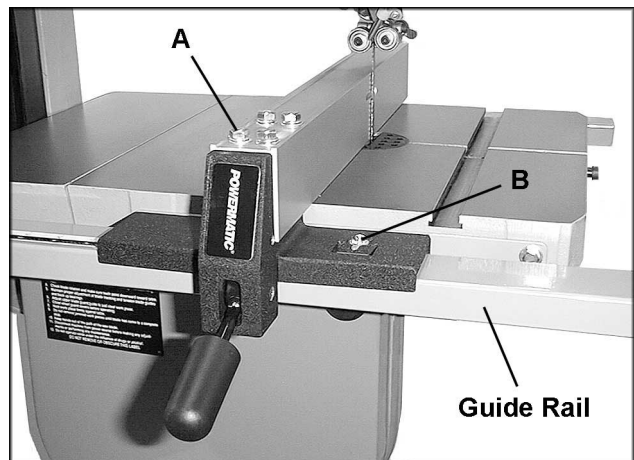


Fig. 19

- For resawing operations attach the resaw guide (Fig. 20) to the fence with the knob. There is a slotted hole in the fence that will accommodate the resaw kit. Position the resaw guide so that it is centered with the front edge of the saw blade. The resaw guide will give you a taller, single-point contact surface during resawing.

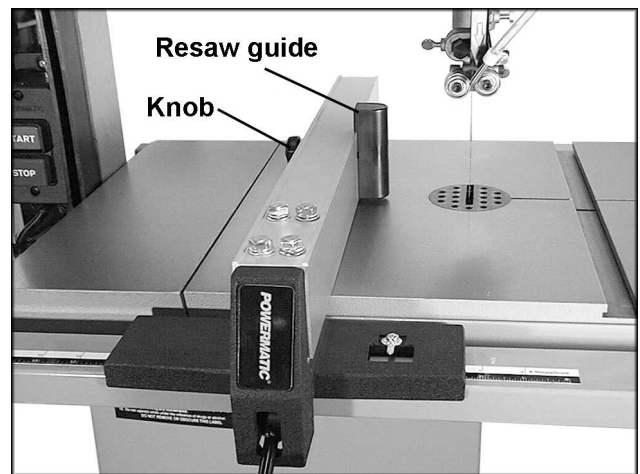


Fig. 20

Tilting the Table

⚠ WARNING
 Unplug the machine from the power source before making any repair or adjustment!
 Failure to comply may cause serious injury!

- Loosen the two lock knobs (A, Fig. 21).
- Tilt table up to 45 degrees to the right. The angle is indicated on the trunnion scale.
- Tighten the two lock knobs (A, Fig. 21).

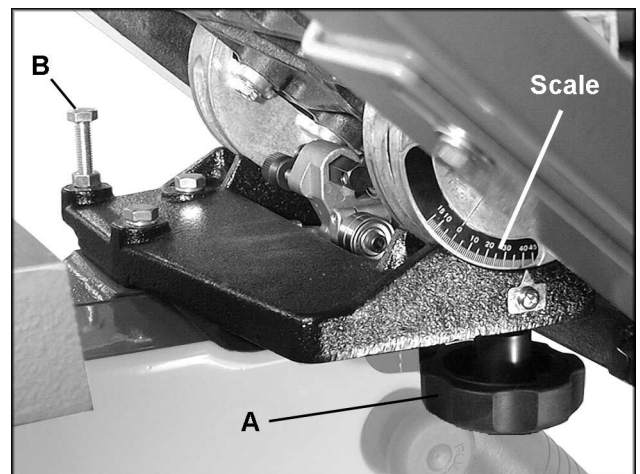


Fig. 21

Adjusting 90° Table Stop

- Disconnect machine from power source.
- Loosen lock knobs (A, Fig. 21) and tilt table to the left until it rests against the table stop (B, Fig. 21).
- Use a square placed on the table and against the blade, as pictured in Fig. 22, to see if the table is 90 degrees to the blade.
- If an adjustment is necessary, tilt the table out of the way and tighten the lock knobs (A, Fig. 21).



Fig. 22

5. Loosen jam nut (C, Fig. 23) and turn table stop (B, Fig. 23) left or right to raise or lower the stop. Tighten jam nut to hold table stop in place.
6. Unlock the table and tilt it back on to the table stop to confirm table is 90 degrees to the blade. Repeat this process as necessary until table is 90 degrees to the blade.
7. If necessary, adjust pointer (D, Fig. 23) to zero.

NOTE: After adjusting the 90-degree stop, it may be necessary to re-set the extension table so it is level with the main table.

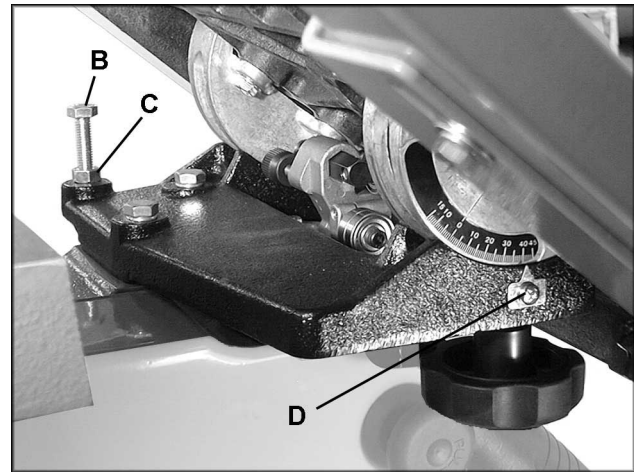


Fig. 23

Changing Blades

⚠ WARNING

**Blade teeth are sharp! Use care when handling the saw blade.
Failure to comply may cause serious injury!**

1. Disconnect machine from power source.
2. Loosen blade tension with the blade tension lever. Push the tension lever up slightly, then out, and pull it down toward the table, as shown in Fig. 24.
3. Remove the table insert and the table pin.
4. Open both wheel guards.
5. Remove the blade from between upper and lower blade guides. Remove blade from upper and lower wheels. Turn blade to direct it through the slot in table.
6. Guide new blade through table slot. Place blade in upper and lower blade guides. Note: Make sure blade teeth point down toward the table.
7. Place blade so it lies on the center of both upper and lower wheels.
8. Replace table insert and table pin, and raise the blade tension lever (Fig. 24) to tighten the belt again.
9. Tension and track blade before operating saw. See "Adjusting Blade Tension" and "Adjusting Blade Tracking".

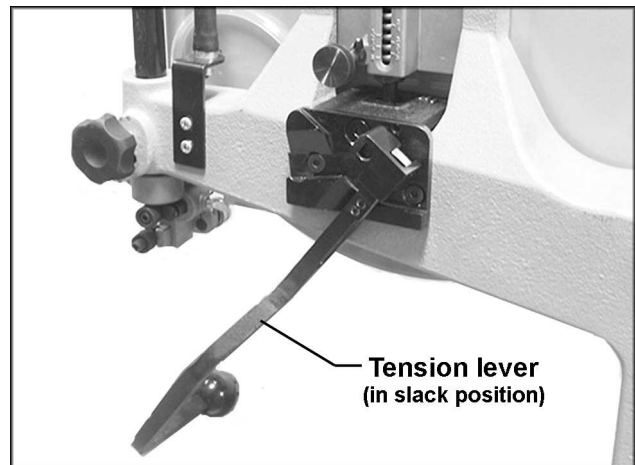


Fig. 24

Adjusting Blade Tension

1. Disconnect machine from power source.
2. Place tension lever in the highest position, as shown in Figure 25. Turn blade tension knob (B, Fig. 25) clockwise to tension blade. A gauge on the upper wheel slide bracket (C, Fig. 25) indicates the approximate tension according to the width of the blade. Initially, set the blade tension to correspond to blade width.
3. As you become familiar with the saw, you may find it necessary to change the blade tension from the initial setting. Changes in blade width and the type of material being cut will have an effect on blade tension. Keep in mind that too little or too much blade tension can cause blade breakage.

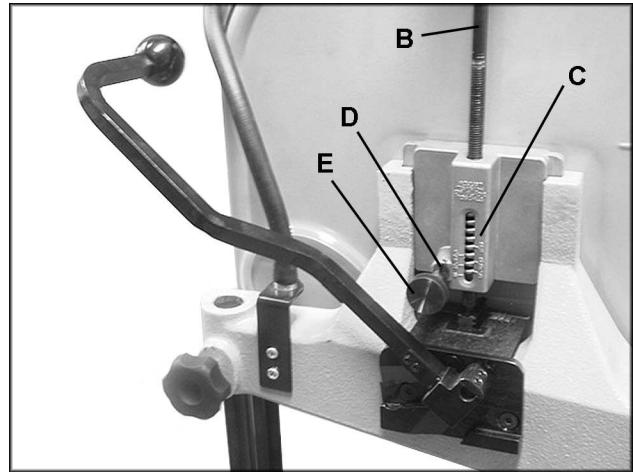


Fig. 25

IMPORTANT: If the band saw is to sit idle for a period of time, place the lever in the middle position; this will help prevent blade fatigue and wheel deformation.

Adjusting Blade Tracking

 **WARNING**

**Disconnect machine from the power source!
Never adjust blade tracking with the machine
running!**

Failure to comply may cause serious injury!

How the blade is situated upon the wheels while in motion is called “tracking”. The blade should track in the center of both wheels.

1. Blade must be properly tensioned before adjusting blade tracking. Make sure blade guides and blade bearings do not interfere with the blade.
2. Open the upper wheel guard on the band saw. Rotate the wheel forward and observe the position of the blade on the wheel. It should be in the center.
3. If adjustment is necessary, loosen wing nut (D, Fig. 25) and slightly tighten knob (E, Fig. 25) to move blade toward the **rear** of machine. Slightly loosen knob (E, Fig. 25) to cause the blade to track toward the **front** of the machine.

4. Tighten wing nut (D, Fig. 25) after blade is tracking in the center of the wheel.
5. Close upper wheel guard.

Adjusting Upper Blade Guide Assembly

1. Disconnect machine from power source.
2. Loosen lock knob (A, Fig. 26) and raise or lower upper blade guide assembly (B, Fig. 26) to just above the material being cut.
3. Tighten lock knob.
4. The upper blade guide is spring loaded. To adjust the tension on the spring, remove knob (A, Fig. 26), tighten or loosen set screw (C, Fig. 26) until desired tension is reached, then replace knob.

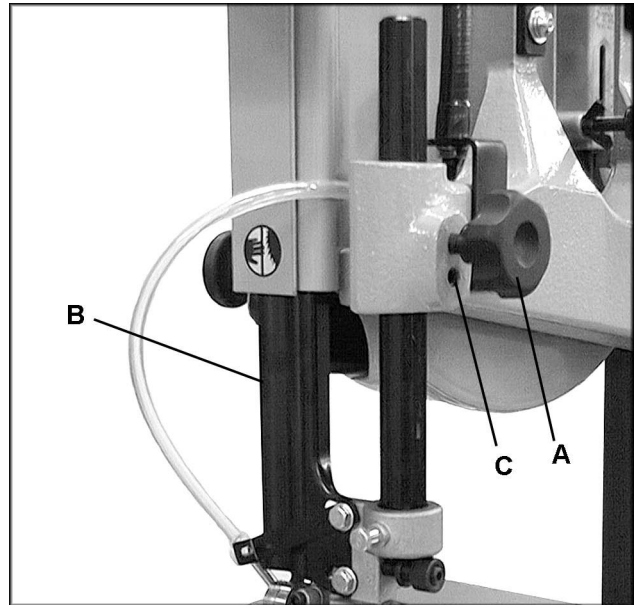


Fig. 26

Adjusting Upper Blade Guide & Blade Support Bearing

1. Disconnect machine from power source.
2. Blade must already be tensioned and tracking properly.
3. Loosen thumb screw (A, Fig. 27) and move guide block by turning knob (B, Fig. 27) so that the front of the guide wheels (C, Fig. 27) are just behind the gullet (curved area at base of tooth) of the blade.
4. Tighten thumb screw (A, Fig. 27).
5. Loosen thumb screw (D, Fig. 28) and turn knob (E, Fig. 28) to move the support bearing (F, Fig. 28) in or out until the bearing is approximately 1/64" behind the blade. A simple way to set this distance is to place a piece of paper or a dollar bill between the support bearing and the blade.
6. Tighten thumb screw (D, Fig. 28).
7. Loosen the cap screw (G, Fig. 27) and turn the screw on each guide wheel (H, Fig. 27) to move the guide wheels 1/64" from the blade. Tighten cap screw (G, Fig. 27) when finished.

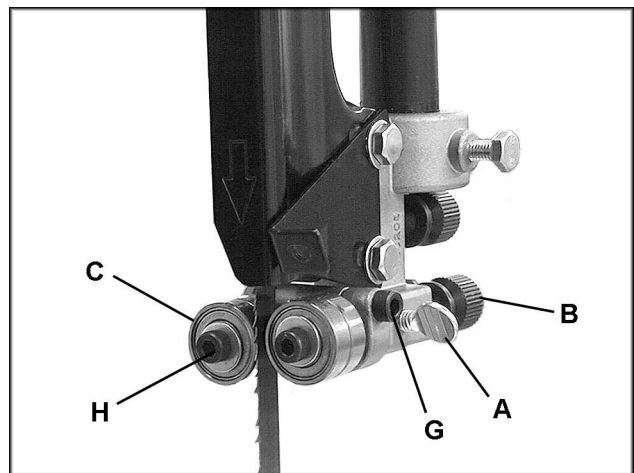


Fig. 27

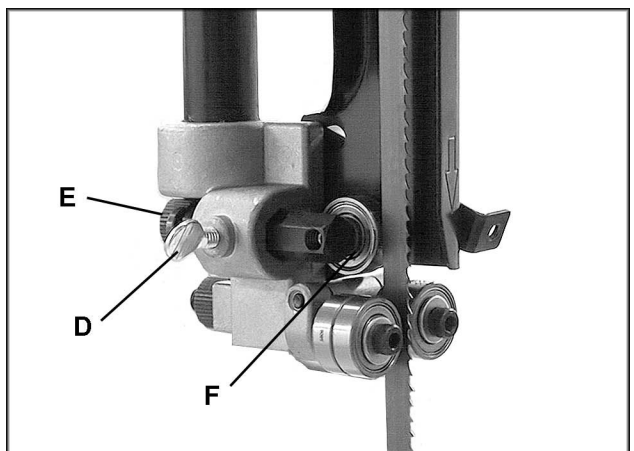


Fig. 28

Adjusting Lower Blade Guide and Blade Support Bearing

1. Disconnect machine from power source.
2. Blade must already be tensioned and tracking properly.
3. Loosen thumb screw (A, Fig. 29) and move guide block by turning knob (B, Fig. 29) so that the front of the guide wheels (C, Fig. 29) are just behind the gullet (curved area at base of tooth) of the blade.
4. Tighten thumb screw (A, Fig. 29).
5. Loosen thumb screw (D, Fig. 29) and turn knob (E, Fig. 29) to move the support bearing (F, Fig. 29) in or out until the bearing is approximately 1/64" behind the blade. A simple way to set this distance is to place a piece of paper or a dollar bill between the support bearing and the blade.
6. Tighten thumb screw (D, Fig. 29).
7. Loosen the cap screw (G, Fig. 27) and turn the screw on each guide wheel (H, Fig. 27) to move the guide wheels approximately 1/64" from the blade. Tighten cap screw (G, Fig. 27) when finished.

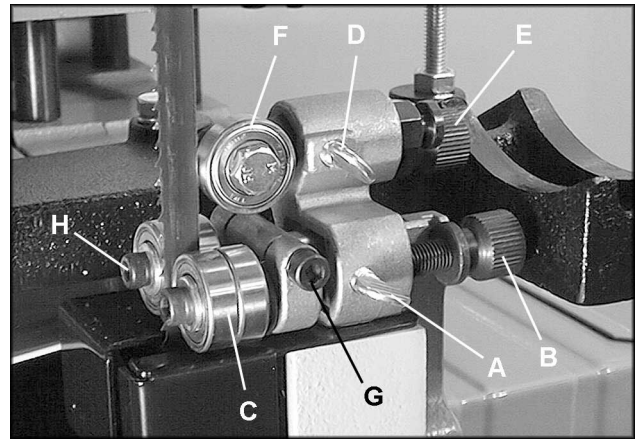


Fig. 29

Miter Gauge

A miter gauge is provided for angle cutting. Slide the miter gauge into the T-slot from the front edge of the table (Fig. 30). To use the miter gauge, loosen the handle and rotate the gauge body until the desired angle on the scale lines up with the pointer. Tighten handle.

The miter gauge, when not in use, can be placed into the hooks on the stand. See Fig. 31. Loosen the miter gauge handle, and slide the miter gauge into the top hook. Pivot the miter gauge bar into the lower hook, then tighten the miter gauge handle to secure the miter gauge to the stand.

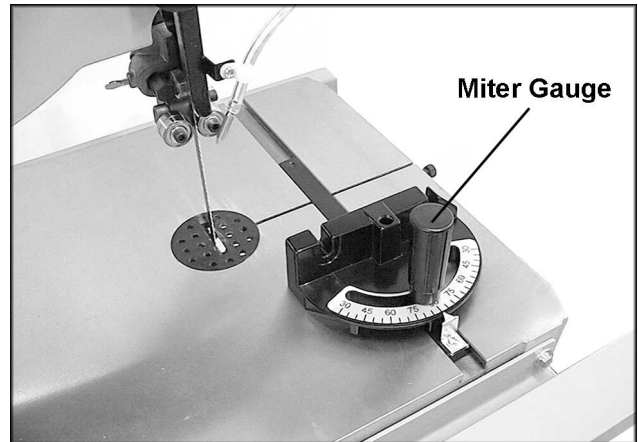


Fig. 30

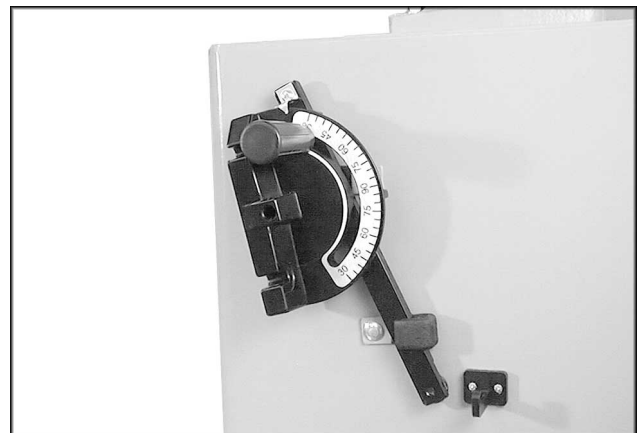


Fig. 31

TROUBLE-SHOOTING (PWBS-14 Band Saw)

PROBLEM	POSSIBLE CAUSE	SOLUTION
Saw stops or will not start	<ol style="list-style-type: none"> 1. Saw unplugged 2. Fuse blown or circuit breaker tripped 3. Cord damaged 	<ol style="list-style-type: none"> 1. Check plug connections 2. Replace fuse or reset circuit breaker 3. Replace cord
Does not make accurate 45 deg. or 90 deg. cuts	<ol style="list-style-type: none"> 1. Stop not adjusted correctly 2. Angle pointer not set accurately 3. Miter gauge out of adjustment 	<ol style="list-style-type: none"> 1. Check blade with square and adjust stop 2. Check blade with square and adjust pointer 3. Adjust miter gauge
Blade wanders during cut	<ol style="list-style-type: none"> 1. Fence not aligned with blade 2. Warped wood 3. Excessive feed rate 4. Incorrect blade for cut 5. Blade tension not set properly 6. Guides not set properly 	<ol style="list-style-type: none"> 1. Check and adjust fence 2. Select another piece of wood 3. Reduce feed rate 4. Change blade to correct type 5. Set blade tension according to blade size 6. Adjust guides
Saw makes unsatisfactory cuts	<ol style="list-style-type: none"> 1. Dull blade 2. Blade mounted wrong 3. Gum or pitch on blade 4. Incorrect blade for cut 5. Gum or pitch on table 	<ol style="list-style-type: none"> 1. Replace blade 2. Teeth should point down 3. Remove blade and clean 4. Change blade to correct type 5. Clean table
Blade does not come up to speed	<ol style="list-style-type: none"> 1. Extension cord too light or too long 2. Low shop voltage 	<ol style="list-style-type: none"> 1. Replace with adequate size and length cord 2. Contact your local electric company
Saw vibrates excessively	<ol style="list-style-type: none"> 1. Stand on uneven floor 2. Bad v-belt 3. Motor mount is loose 4. Loose hardware 	<ol style="list-style-type: none"> 1. Reposition on flat, level surface 2. Replace v-belt 3. Tighten motor mount hardware 4. Tighten hardware

OPTIONAL ACCESSORIES for PWBS-14 Band Saw

Part No.	Description	Size
709370	Bandsaw Blade	1/8 x .020 x 14 hook x 93-1/2"
709371	Bandsaw Blade	3/16 x .020 x 6 skip x 93-1/2"
709372	Bandsaw Blade	1/4 x .020 x 6 skip x 93-1/2"
709373	Bandsaw Blade	3/8 x .020 x 4 skip x 93-1/2"
709374	Bandsaw Blade	1/2 x .020 x 4 hook x 93-1/2"
709375	Bandsaw Blade	3/4 x .020 x 4 hook x 93-1/2"
709376	Bandsaw Blade	1/8 x .020 x 14T x 105"
709377	Bandsaw Blade	3/16 x .020 x 6T x 105"
709678	Bandsaw Blade	1/4 x .020 x 6T x 105"
709679	Bandsaw Blade	3/8 x .020 x 4T x 105"
709680	Bandsaw Blade	1/2 x .020 x 4T x 105"
709681	Bandsaw Blade	3/4 x .020 x 4T x 105"
709351	Bandsaw Blade	WW, 1/8 x .025 x 14 raker x 93-1/2"
709352	Bandsaw Blade	WW, 3/16 x .025 x 4 skip x 93-1/2"
709354	Bandsaw Blade	WW, 1/4 x .025 x 6 hook x 93-1/2"
709355	Bandsaw Blade	WW, 1/4 x .025 x 14 raker x 93-1/2"
709356	Bandsaw Blade	WW, 3/8 x .025 x 4 hook x 93-1/2"
709357	Bandsaw Blade	WW, 1/2 x .025 x 3 hook x 93-1/2"
709358	Bandsaw Blade	WW, 1/2 x .025 x 6 hook x 93-1/2"
709359	Bandsaw Blade	WW, 3/4 x .032 x 3 hook x 93-1/2"
709274	Bandsaw Blade	WW, 3/8 x .025 x 14 raker x 93-1/2"
709228	Bandsaw Blade	WW, 3/4 x .032 x 10 raker x 93-1/2"
709361	Bandsaw Blade	WW, 1/8 x .025 x 14 raker x 105"
709362	Bandsaw Blade	WW, 3/16 x .025 x 4 skip x 105"
709364	Bandsaw Blade	WW, 1/4 x .025 x 6 hook x 105"
709365	Bandsaw Blade	WW, 1/4 x .025 x 14 raker x 105"
709366	Bandsaw Blade	WW, 3/8 x .025 x 4 hook x 105"
709367	Bandsaw Blade	WW, 1/2 x .025 x 3 hook x 105"
709368	Bandsaw Blade	WW, 1/2 x .025 x 6 hook x 105"
709369	Bandsaw Blade	WW, 3/4 x .032 x 3 hook x 105"
709275	Bandsaw Blade	WW, 3/8 x .025 x 14 raker x 105"
709276	Bandsaw Blade	WW, 3/4 x .032 x 10 raker x 105"
709588	Blade, Stainless Steel	WW, 3/16 x .025 x 10 raker x 93-1/2"
709589	Blade, Stainless Steel	WW, 3/8 x .025 x 6 hook x 93-1/2"
709590	Blade, Stainless Steel	WW, 3/8 x .02 x 10 raker x 93-1/2"
709591	Blade, Stainless Steel	WW, 3/8 x .02 x 14 raker x 93-1/2"
709592	Blade, Stainless Steel	WW, 1/2 x .025 x 4 hook x 93-1/2"
709593	Blade, Stainless Steel	WW, 1/2 x .025 x 6 hook x 93-1/2"
709488	Blade, Stainless Steel	WW, 3/4 x .032 x 3 hook x 93-1/2"
709489	Blade, Stainless Steel	WW, 3/4 x 10 x 93-1/2"
709594	Blade, Stainless Steel	WW, 3/16 x .025 x 10 raker x 105"
709595	Blade, Stainless Steel	WW, 3/8 x .025 x 6 hook x 105"
709596	Blade, Stainless Steel	WW, 3/8 x .025 x 10 raker x 105"
709597	Blade, Stainless Steel	WW, 3/8 x .025 x 14 raker x 105"
709598	Blade, Stainless Steel	WW, 1/2 x .025 x 4 hook x 105"
709599	Blade, Stainless Steel	WW, 1/2 x .025 x 6 hook x 105"
709517	Blade, Stainless Steel	WW, 3/4 x .032 x 3 hook x 105"
709518	Blade, Stainless Steel	WW, 3/4 x .032 x 10 raker x 105"

Replacement Parts & Service

Replacement parts are listed on the following pages. To order parts or reach our service department, call 1-800-274-6848 between 7:00 a.m. and 6:00 p.m. (CST), Monday through Friday. Having the Model Number and Serial Number of your machine available when you call will allow us to serve you quickly and accurately.

PARTS LIST: **Body Assembly** (PWBS-14 Band Saw)

Index No.	Part No.	Description	Size	Qty.
1.....	PWBS14-101.....	Base.....		1
2.....	PWBS14-102.....	Pin		4
3.....	BB-6204VV.....	Ball Bearing.....	6204VV.....	2
4.....	PWBS14-104.....	Lower Wheel Shaft.....		1
5.....	6291489.....	Key.....	5x5x20.....	2
6.....	PWBS14-106.....	Retaining Ring.....	S20.....	1
7.....	PWBS14-107.....	Pulley.....		1
8.....	TS-1523031.....	Socket Set Screw.....	M6x10.....	2
9.....	TS-2213551.....	Hex Head Bolt.....	M16x55.....	1
10.....	TS-155010.....	Flat Washer.....	M16.....	2
11.....	TS-154010.....	Hex Nut.....	M16.....	1
12.....	PWBS14-112.....	Hex Stud.....		2
13.....	PWBS14-113.....	Lower Hinge.....		1
14.....	TS-1534041.....	Flat Head Screw.....	M5x10.....	4
15.....	PWBS14-115.....	Hex Head Bolt.....		2
16.....	PWBS14-116.....	Catch.....		2
17.....	TS-1533042.....	Phillips Pan Head Machine Screw.....	M5x12.....	3
18.....	PWBS14-118.....	Lower Wheel.....		1
19.....	PWBS14-119.....	Wheel Tire.....		2
20.....	TS-155061.....	Flat Washer.....	M8x30.....	2
21.....	PWBS14-121.....	Hex Cap Screw.....	M8x25(LH).....	1
22.....	PWBS14-122.....	Upper Wheel.....		1
23.....	PWBS14-123.....	Retaining Ring.....	R35.....	2
24.....	BB-6202ZZ.....	Ball Bearing.....	6202ZZ.....	2
25.....	PWBS14-125.....	Lower Wheel Guard.....		1
26.....	TS-1540083.....	Hex Nut.....	M12x1.25.....	1
27.....		Saw Blade (see "Optional Accessories").....		1
28.....	PWBS14-128.....	Cover Upper Back.....		1
29.....	PWBS14-129.....	Pan Head Flanged Screw.....	M5x8.....	2
30.....	PWBS14-130.....	Tapping Screw.....	M4X8.....	12
31.....	PWBS14-131.....	Guard Blade Rear.....		1
32.....	PWBS14-132.....	Hinge Upper.....		1
33.....	PWBS14-133.....	Gasket.....		2
34.....	PWBS14-134.....	Tapping Screw.....	M3.5x16(AB).....	2
35.....	PWBS14-135.....	Upper Wheel Guard.....		1
36.....	PWBS14-136.....	Stud Latch.....		2
37.....	PWBS14-137.....	Star Washer (Internal).....	M8.....	2
38.....	PWBS14-138.....	Knob.....	M8.....	2
39.....	PWBS14-139.....	Wheel Brush.....		1
40.....	TS-1540061.....	Hex Nut.....	M8.....	1
57.....	TS-1490071.....	Hex Cap Screw.....	M8x40.....	4
58.....	TS-1550061.....	Flat Washer.....	M8x18.....	8
59.....	TS-1550041.....	Flat Washer.....	M6x13.....	4
60.....	TS-1551061.....	Lock Washer.....	M8.....	4
61.....	TS-1540061.....	Hex Nut.....	M8.....	4
63.....	PWBS14-163.....	Level Board.....		1
64.....	PWBS14-164.....	Socket Head Cap Screw.....	M8x65.....	4
65.....	TS-1540061.....	Hex Nut.....	M8.....	4
66.....	TS-1524051.....	Socket Set Screw.....	M8x20.....	4
67.....	PWBS14-167.....	Spacer.....		4

PARTS LIST: Body Assembly (PWBS-14 Band Saw) continued

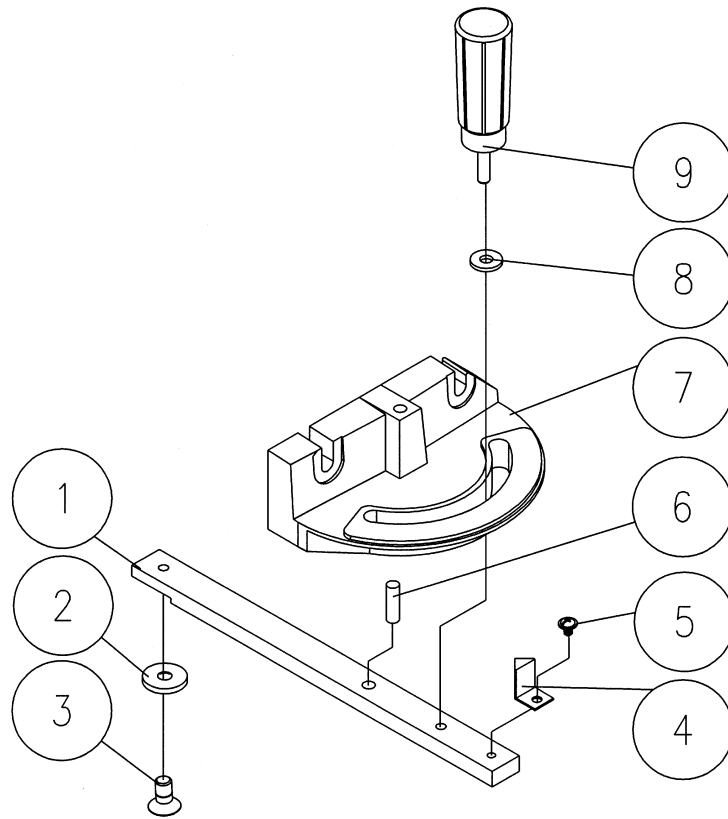
Index No.	Part No.	Description	Size	Qty.
68	TS-1551041	Lock Washer	M6	4
69	TS-1503061	Socket Head Cap Screw	M6X25	4
70	PWBS14-170	Lower Blade Guard		1
71	TS-1550041	Flat Washer	M6x13	2
72	TS-1482041	Hex Cap Screw	M6x20	2
73	PWBS14-173	Upper Frame Arm		1
74	PWBS14-174	Knob	M8	1
75	PWBS14-175	Steel Ball		1
76	PWBS14-176	Spring		1
77	TS-1525011	Socket Set Screw	M10x10	1
78	PWBS14-178	Switch Plate		1
79	PWBS14-179	Switch Enclosure		1
80	TS-1533052	Phillips Pan Head Machine Screw	M5X16	2
81	PWBS14-181	Switch		1
82	TS-1550021	Flat Washer	M4x8	2
83	PWBS14-183	Tapping Screw	M3.5x12(AB)	2
84	TS-1522011	Socket Set Screw	M5x6	1
85	PWBS14-185	Star Washer (External)	M5	2
86	PWBS14-186	Phillips Pan Head Machine Screw	M5x6	2
87	PWBS14-187	Strain Relief		2
88	PWBS14-188	Cord Clamp		1
89	TS-1533042	Phillips Pan Head Machine Screw	M5x12	1
90	PWBS14-190	Power Cord(Switch To Motor)		1
91	PWBS14-191	Power Cord		1
92	PWBS14-192	Adjusting Bolt Assembly		1
	PWBS14-192-1	Knob	M8	1
	PWBS14-192-2	Adjusting Bolt		1
	PWBS14-192-3	Spring Pin	ø3x18	1
111	PWBS14-211	Upper Wheel Sliding Bracket		1
112	PWBS14-212-1	Upper Wheel Shaft Hinge Assembly		1
	PWBS14-212-2	Upper Wheel Shaft		1
	PWBS14-212-3	Spring Pin	ø 4x24	1
	PWBS14-212-4	Upper Wheel Shaft Hinge		1
113	PWBS14-213	Steel Pin		2
114	TS-1533042	Phillips Pan Head Machine Screw	M5x12	1
115	PWBS14-215	Cord Clamp		2
116	PWBS14-216	Coil Spring		1
117	PWBS14-217	Indicator		1
118	PWBS14-218	Square Nut	M10	1
119	TS-154306	Wing Nut	M8	1
120	PWBS14-220	Knob Bolt	M8x55	1
121	PWBS14-221	Guide Post		1
122	PWBS14-222	Blade Guard		1
123	TS-1550041	Flat Washer	M6x13	2
124	PWBS14-224	Support Plate		1
125	TS-1482011	Hex Cap Screw	M6x10	2
126	PWBS14-226	Upper Support		1
127	PWBS14-227	Adjusting Screw	M8x1.0x40	4
128	PWBS14-228	Adjusting Nut		4
129	TS-1482031	Hex Cap Screw	M6x16	1
130	PWBS14-230	Spacing Sleeve		2

PARTS LIST: Body Assembly (PWBS-14 Band Saw) continued

Index No.	Part No.	Description	Size	Qty.
131	PWBS14-231	Bearing Sheath		2
132	TS-1482031	Hex Cap Screw	M6x20	2
133	PWBS14-233	Thumb Screw	M6x16	3
134	PWBS14-234	Ball Bearing	608ZZ	10
135	TS-1550031	Flat Washer	M5x12	4
136	TS-1502031	Socket Head Cap Screw	M5x12	4
137	TS-1502091	Socket Head Cap Screw	M5x40	2
138	TS-1551031	Lock Washer	M5	2
139	PWBS14-239	Support Bracket		2
140	PWBS14-240	Eccentric Shaft		4
141	PWBS14-241	Lower Support Bracket Post		1
142	PWBS14-242	Thumb Screw	M6x12	1
143	PWBS14-243	Lampshade		1
144	PWBS14-244	Lamp Holder		1
145	PWBS14-245	Nut		1
146	PWBS14-251-5	Pan Head Flanged Screw	M5x8	2
147	PWBS14-247	Flexible Pipe		1
148	PWBS14-248	Cord Clamp		1
149	PWBS14-249	Jet Head		1
150	TS-1533042	Phillips Pan Head Machine Screw	M5x12	2
153	PWBS14-253	Gasket		1
154	PWBS14-254	Riser Block		1

PARTS LIST: Miter Gauge Assembly (PWBS-14 Band Saw)

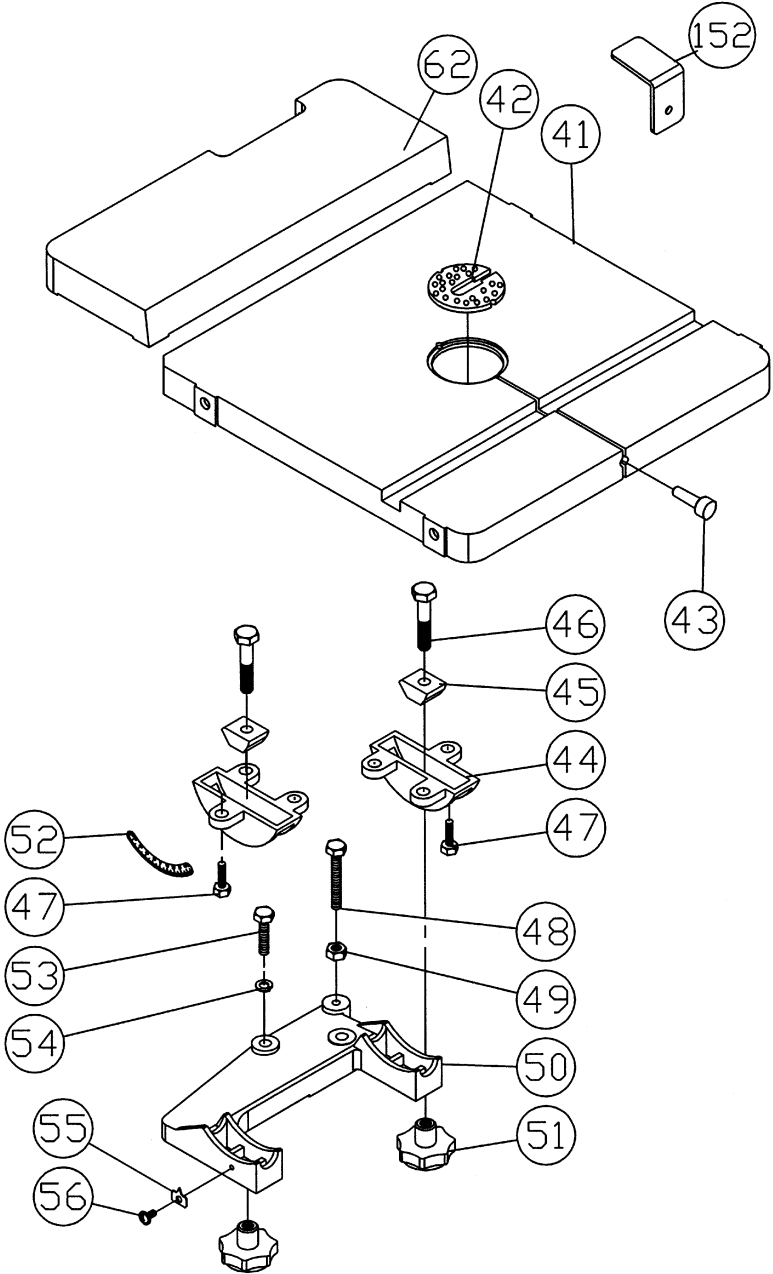
Index No.	Part No.	Description	Size	Qty.
	PWBS14-251	Miter Gauge Assembly (Items 1 thru 9)		1
1	PWBS14-251-1	Guide Bar		1
2	PWBS14-251-2	Guide Piece		1
3	PWBS14-251-3	Counter Sunk Bolt	M6x6	1
4	PWBS14-251-4	Pointer		1
5	PWBS14-251-5	Pan Head Flanged Screw	M5x8	1
6	PWBS14-251-6	Pin	ø6.5x10	1
7	PWBS14-251-7	Miter Gauge Body		1
8	PWBS14-251-8	Nylon Washer		1
9	PWBS14-251-9	Handle		1



PARTS LIST: Table & Trunnion Assembly (PWBS-14 Band Saw)

Index No.	Part No.	Description	Size	Qty.
41	PWBS14-141	Table		1
42	PWBS14-142	Table Insert		1
43	PWBS14-143	Table Pin		1
44	PWBS14-144	Trunnion		2
45	PWBS14-145	Trunnion Clamp Shoes		2
46	TS-1491081	Hex Cap Screw	M10x50	2
47	PWBS14-147	Hex Head Flange Bolt		6
48	TS-1490151	Hex Cap Screw	M8x80	1
49	TS-1540061	Hex Nut	M8	1
50	PWBS14-150	Trunnion Clamp Shoe		1
51	PWBS14-151	Knob	M10	2
52	PWBS14-152	Scale		1
53	TS-1490051	Hex Cap Screw	M8x30	2
54	TS-1551061	Lock Washer	M8	2
55	PWBS14-155	Pointer		1
56	PWBS14-156	Pan Head Flanged Screw	M5x6	1
62	PWBS14-162	Extension Plate		1
152	PWBS14-252	L-Spacer		2

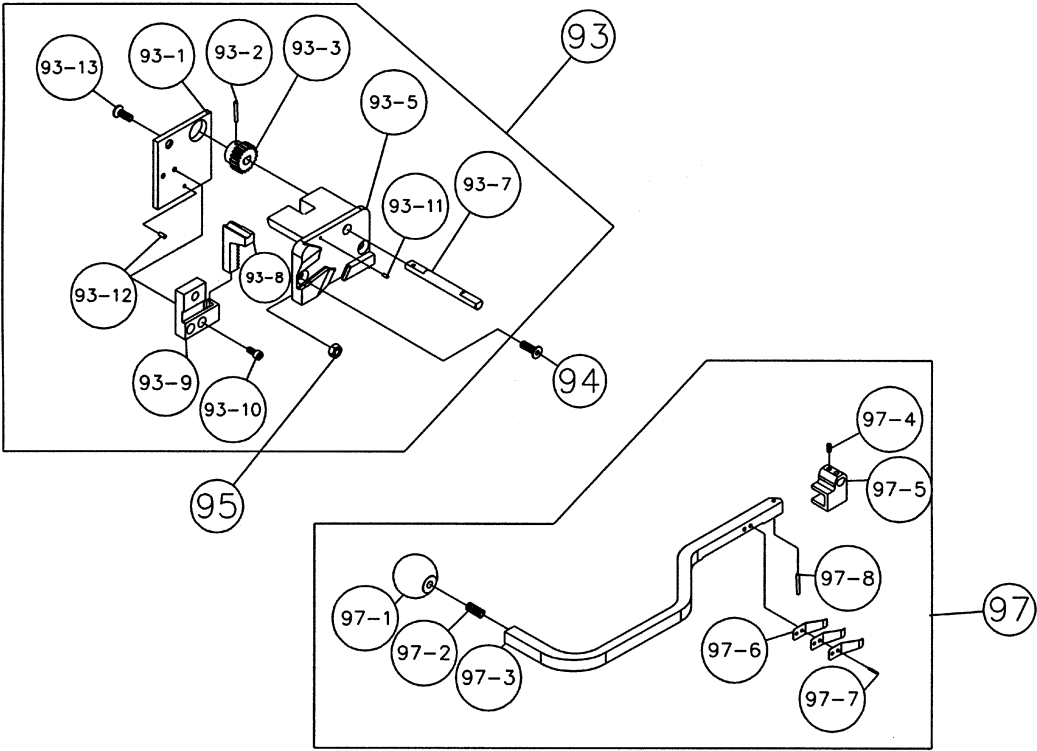
Table & Trunnion Assembly (PWBS-14 Band Saw)



PARTS LIST: Blade Tension Lever (PWBS-14 Band Saw)

Index No.	Part No.	Description	Size	Qty.
93	PWBS14-193A	Adjusting Block Assembly (Items 93-1 thru 93-13)		1
93-1	PWBS14-193-1	Side Cover		1
93-2	PWBS14-193-2	Spring Pin		1
93-3	PWBS14-193-3A	Gear		1
93-5	PWBS14-193-5A	Adjust Block		1
93-7	PWBS14-193-7A	Connecting Shaft		1
93-8	PWBS14-193-8	Moving Block		1
93-9	PWBS14-193-9	Bracket		1
93-10	TS-1502031	Socket Head Cap Screw	M5x12	2
93-11	PWBS14-193-11A	Spring Pin	3x16	1
93-12	PWBS14-193-12	Spring Pin		1
93-13	PWBS14-193-13A	Countersunk Head Bolt	5/16x1-1/4	1
94	PWBS14-194A	Countersunk Head Bolt	1/4x1-1/4	2
95	TS-0561011	Hex Nut	1/4-20	2
97	PWBS14-197	Handle Shaft Assembly (Items 97-1 thru 97-8)		1
97-1	PWBS14-197-1	Knob	M8	1
97-2	PWBS14-197-2	Set Screw	M8x25	1
97-3	PWBS14-197-3	Handle Shaft		1
97-4	PWBS14-197-4	Set Screw	M6x6	2
97-5	PWBS14-197-5	Locate Block		1
97-6	PWBS14-197-6	Leaf Spring		3
97-7	PWBS14-197-7	Rivet		2
97-8	PWBS14-197-8	Spring Pin		1

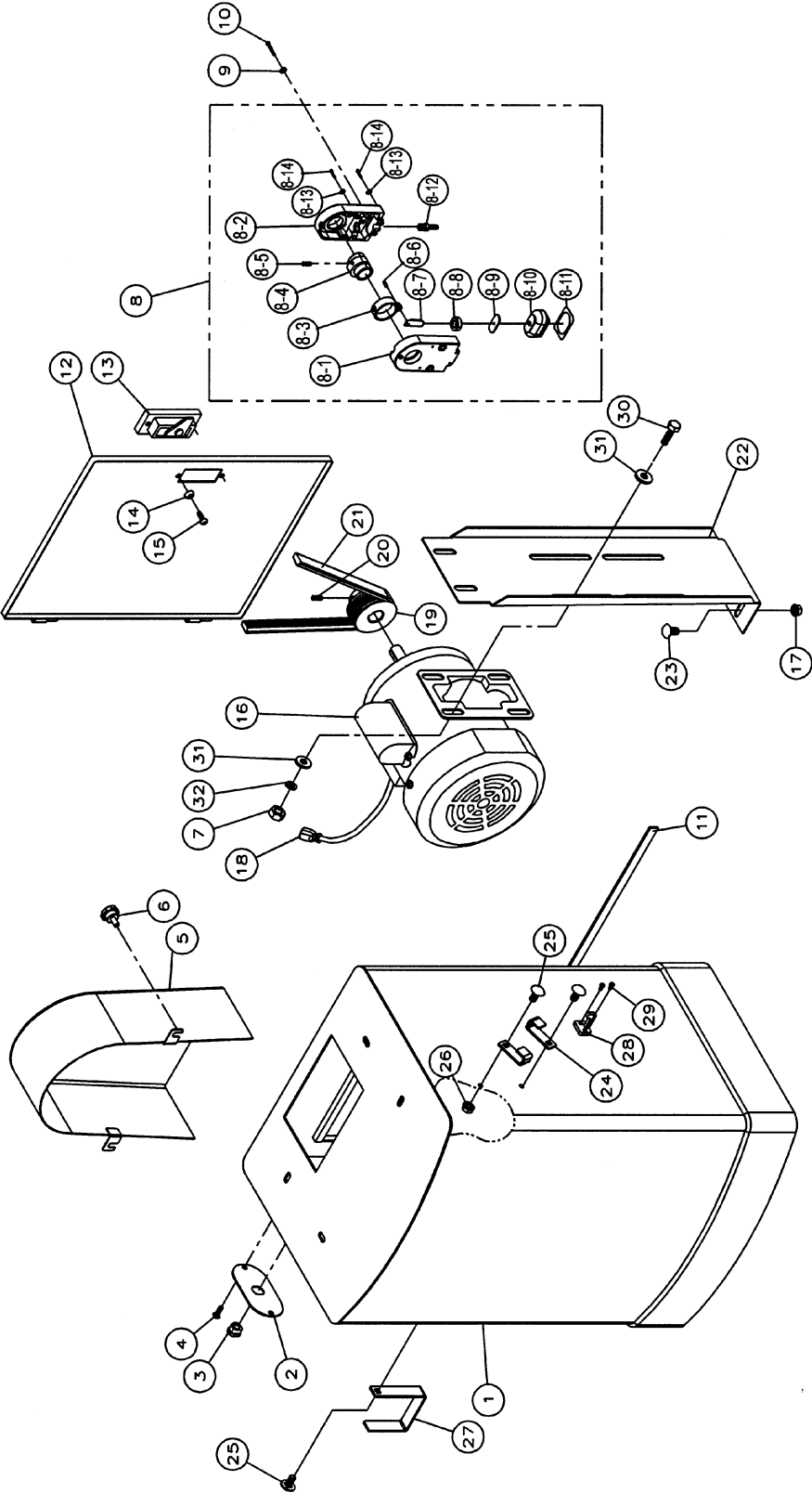
Blade Tension Lever (PWBS-14 Band Saw)



PARTS LIST: Closed Stand Assembly (PWBS-14 Band Saw)

Index No.	Part No.	Description	Size	Qty.
1	PWBS14-301	Closed Stand Assembly		1
	PWBS14-301-1	Closed Stand		1
	PWBS14-301-2	Face Plate		1
	PWBS14-301-3	Support Plate-1		1
	PWBS14-301-4	Support Plate-2		1
2	PWBS14-302	Plate		1
3	PWBS14-303	Strain Relief		1
4	TS-1533042	Phillips Pan Head Machine Screw	M5x12	2
5	PWBS14-305	Pulley Box		1
6	PWBS14-306	Knob	M6X12	2
7	TS-1540061	Hex Nut	M8	4
8	PWBS14-308	Air Regulator Assembly (Items 8-1 thru 8-14)		1
8-1	PWBS14-308-1	Lower Wheel Guard		1
8-2	PWBS14-308-2	Upper Wheel Guard		1
8-3	PWBS14-308-3	Lever Arm		1
8-4	PWBS14-308-4	Cam		1
8-5	PWBS14-308-5	Set Screw	M5x5	2
8-6	PWBS14-308-6	Locator Pin		1
8-7	PWBS14-308-7	Guide		1
8-8	PWBS14-308-8	Bushing		1
8-9	PWBS14-308-9	Flat Bar		1
8-10	PWBS14-308-10	Air Pump		1
8-11	PWBS14-308-11	Spacer Strip		1
8-12	PWBS14-308-12	Nozzle		1
8-13	PWBS14-308-13	Flat Washer	M4	4
8-14	PWBS14-308-14	Tapping Screw	M3.5x30	4
9	TS-1550021	Flat Washer	M4X8	2
10	PWBS14-310	Socket Cap Bolt	M4x40	2
11	PWBS14-311	Sponge		2
12	PWBS14-312	Door		1
13	PWBS14-313	Door Latch Assembly		1
14	PWBS14-314	Washer		2
15	PWBS14-315	Pan Head Bolt	M4x5	2
16	PWBS14-316	Motor (TEFC)	1.5HP, 1Ph, 115/230V	1
17	TS-2320081	Flange Hex Nut	M8	4
18	PWBS14-318	Motor Cord		1
19	PWBS14-319	Motor Pulley		1
20	TS-1523041	Socket Set Screw	M6x12	2
21	PWBS14-321	Belt	500J6	1
22	PWBS14-322	Motor Plate		1
23	PWBS14-323	Carriage Bolt	M8x16	4
24	PWBS14-324	Miter Gauge Hook		2
25	PWBS14-325	Carriage Bolt	M8x16	4
26	TS-2320081	Flange Hex Nut	M8	4
27	PWBS14-327	Hook		2
28	PWBS14-328	Blade Hook		1
29	TS-1532032	Phillips Pan Head Machine Screw	M4x10	2
30	TS-1490041	Hex Cap Screw	M8x25	4
31	TS-1550061	Flat Washer	M8x18	8
32	TS-1551061	Lock Washer	M8	4

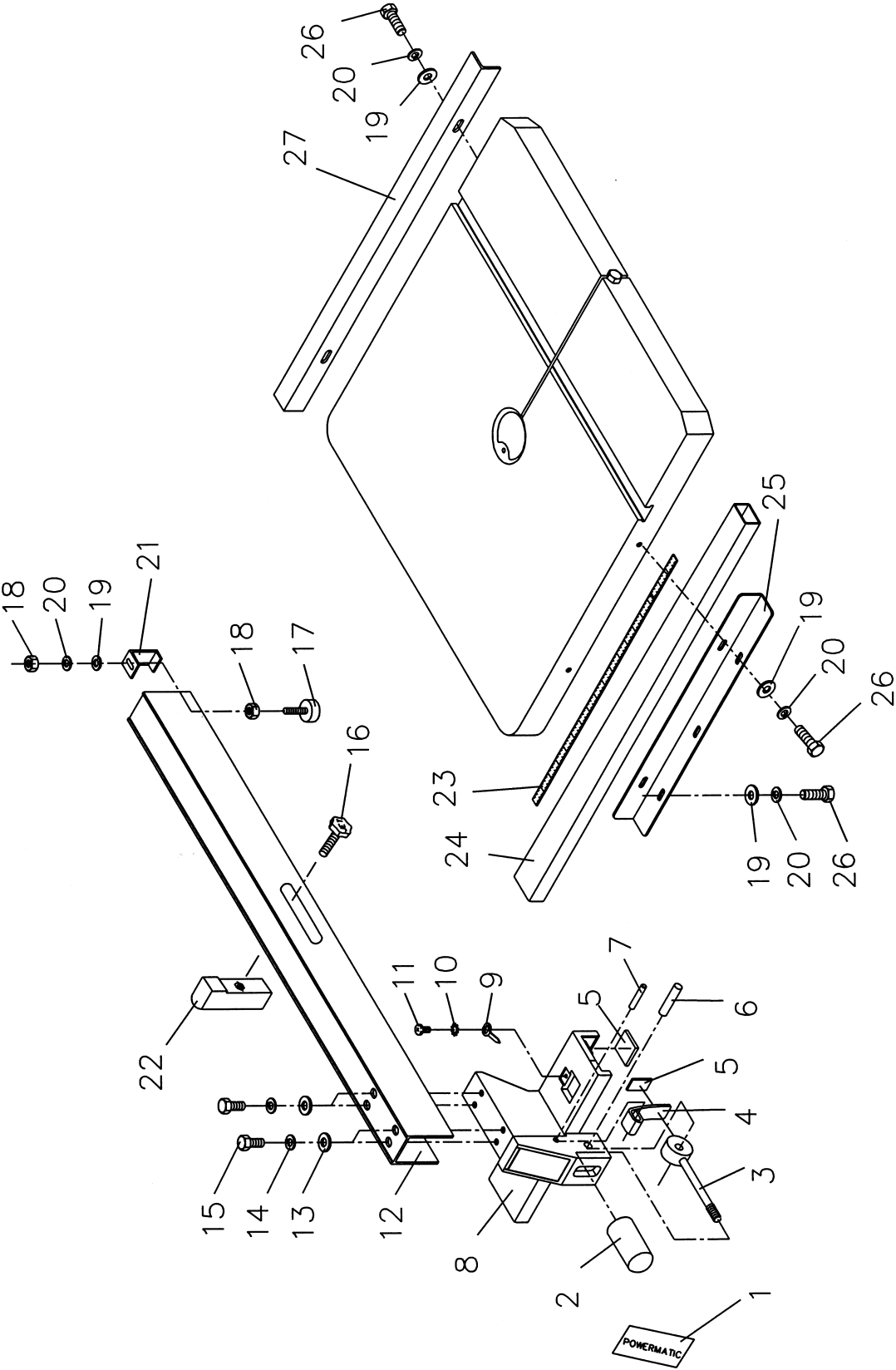
Closed Stand Assembly (PWBS-14 Band Saw)



PARTS LIST: Fence & Rail Assembly (PWBS-14 Band Saw)

Index No.	Part No.	Description	Size	Qty.
1	PWBS14-F01	Powermatic Label		1
2	JWBS18-431	Knob		1
3	JWBS18-432	Lock Handle		1
4	JWBS18-433	Lock Plate		1
5	JWBS18-434	Pad		5
6	JWBS18-435	Pin		1
7	JWBS18-436	Pin		1
8	JWBS18-430	Fence Body		1
9	JWBS18-422	Pointer		1
10	JWBS18-441	Star Washer		1
11	JWBS18-440	Screw	3/16 x 14	1
12	JWBS14-F12	Fence		1
13	JWBS18-439	Flat Washer*	5/16	4
14	TS-0720081	Lock Washer*	5/16	4
15	TS-0081031	Hex Cap Bolt*	5/16 x 3/4	4
16	JWBS14-F16	Knob*		1
17	JWBS18-444	Sliding Pad*		1
18	TS-0561011	Hex Nut*	1/4"	2
19	TS-0680021	Falt Washer*	1/4"	8
20	TS-0720071	Lock Washer*	1/4"	8
21	JWBS18-445	Rear Hook*		1
22	JWBS14-F22	Resaw Kit*		1
23	JWBS14-F23	Scale		1
24	PWBS14-F24	Guide Rail		1
25	PWBS14-F25	Front Rail		1
26	TS-1482041	Hex Cap Bolt*	M6 x 20	7
27	PWBS14-F27	Rear Rail		1
	JWBS14-HK	Hardware Kit (Includes items marked with *)		1

Fence & Rail Assembly (PWBS-14 Band Saw)



POWERMATIC[®]

WMH Tool Group

2420 Vantage Drive

Elgin, Illinois 60123

Phone: 800-274-6848

www.wmhtoolgroup.com