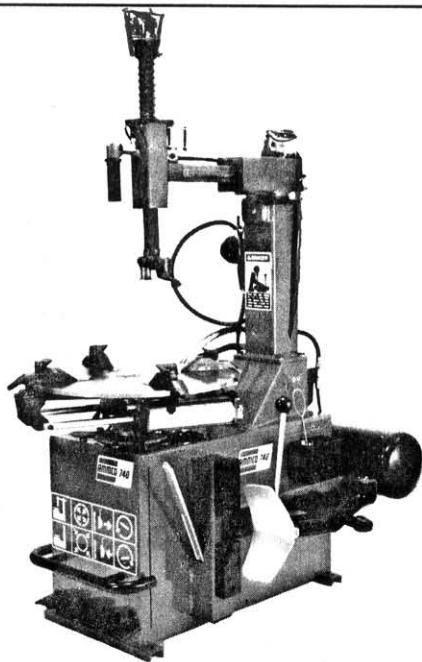


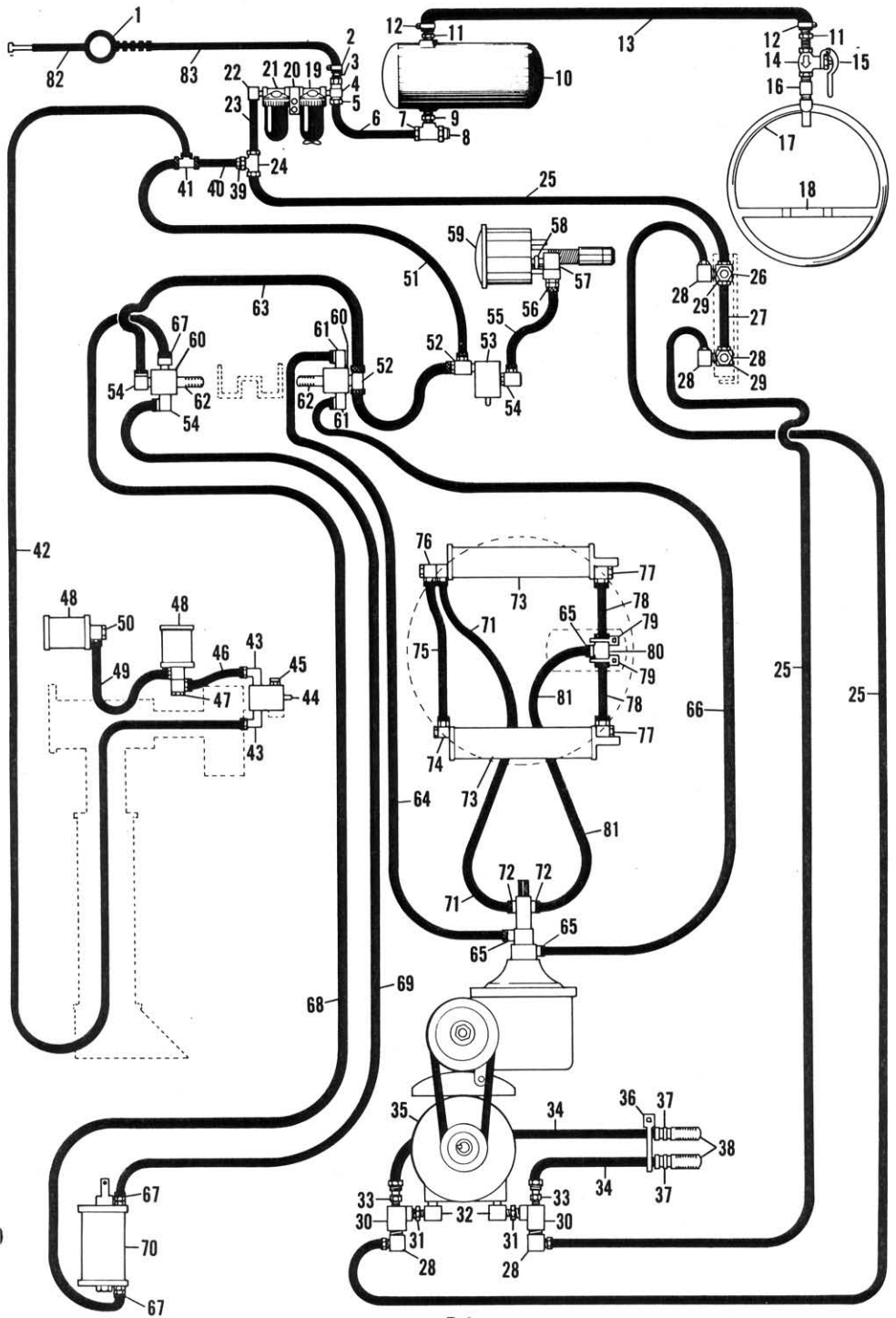
AMMCO

®

**MODEL 740
TIRE CHANGER**



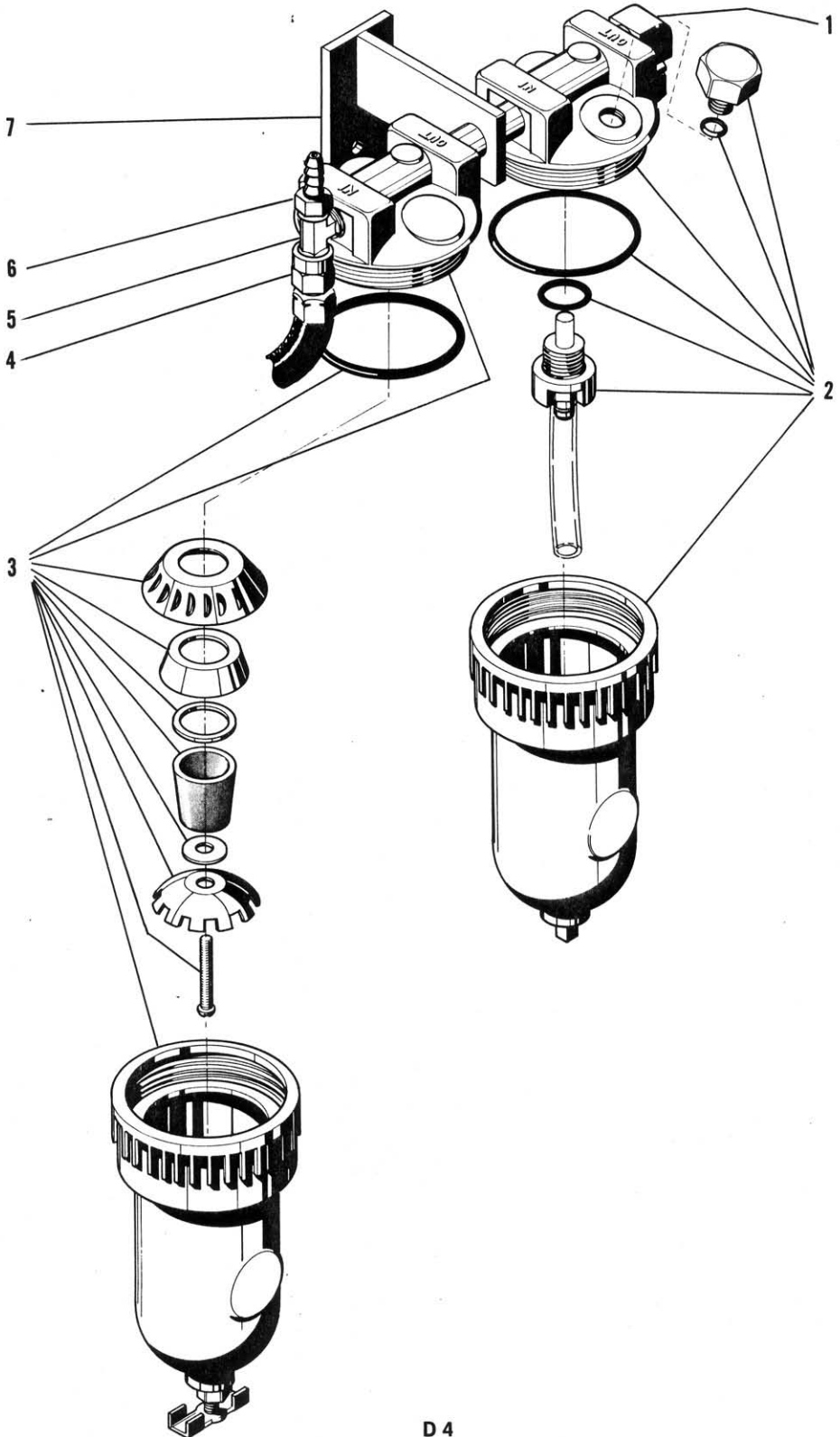
PNEUMATIC ASSEMBLY



PNEUMATIC ASSEMBLY

ITEM	PART NO.	QTY.	DESCRIPTION	ITEM	PART NO.	QTY.	DESCRIPTION
1	33125	1	Air Gun & Hose Assembly	44	33185	1	Valve
2	23844	1	Clamp, Hose	45	33184	1	Silencer
3	23845	1	Fitting, Barb	46	33208	1	Hose
4	23832	1	Tee, Male	47	33186	1	Fitting, Double Compression
5	30865	1	Connector	48	33361	2	Cylinder Assembly
6	31350-08	1	Tube	49	33209	1	Hose
7	23831	1	Tee, Service	50	33169	1	Fitting, Compression
8	24246	1	Reducer, Coupling	51	33349	1	Hose
9	22678	1	Reducer	52	33280	2	Tee, Compression
10	23813	1	Tank, Air	53	33281	1	Valve
11	23647	2	Fitting, Barb	54	33327	3	Fitting, Compression
12	22648	2	Clamp, Hose	55	33353	1	Hose
13	25305	1	Hose	56	33283	1	Fitting, Compression
14	22851	1	Valve, Bead-Seating	57	33328	1	Valve
15	25187	1	Lever	58	33329	1	Nipple
16	25307	1	Nipple, Pipe	59	33368	1	Bead-Breaker Cylinder Assembly
17	25304	1	Ring, Bead-Seating	60	33287	2	Valve
18	25313	1	Decal, Caution	61	33288	2	Fitting, Compression
19	22747	1	Filter	62	33906	2	Muffler
20	23821	1	Bracket	63	33352	1	Hose
21	22748	1	Lubricator	64	33357	1	Hose
22	30876	1	Elbow	65	33259	3	Fitting, Compression
23	31350-27	1	Tube	66	33356	1	Hose
24	30894	1	Tee	67	33290	3	Fitting, Compression
25	31350-26	3	Tube	68	33354	1	Hose
26	23833	1	Tee	69	33355	1	Hose
27	31350-28	1	Tube	70	33121	1	Cylinder Assembly
28	22749	5	Elbow	71	33275	1	Hose
29	22752	2	Valve	72	33238	2	Fitting, Compression
30	22758	2	Valve, Exhaust	73	25606	2	Cylinder Assembly
31	22759	2	Nipple	74	33261	1	Union, Double Screw
32	30931	2	Elbow	75	33276	1	Hose
33	24650	2	Connector, Male	76	33273	1	Fitting, Double Compression
34	24558-03	2	Hose, Nylon	77	33274	2	Fitting, Compression
35	22757	1	Motor, Air	78	25447	2	Hose
36	21098-03	1	Tie, Cable	79	25450	2	Tie
37	24559	2	Connector, Female	80	25444	1	Tee
38	22760	2	Muffler	81	25453	1	Hose
39	22751	1	Fitting	82	25218	1	Hose, Short
40	33348	1	Hose	83	25219	1	Hose, Long
41	33279	1	Tee, Compression				
42	33350	1	Hose				
43	33181	2	Fitting, Compression				

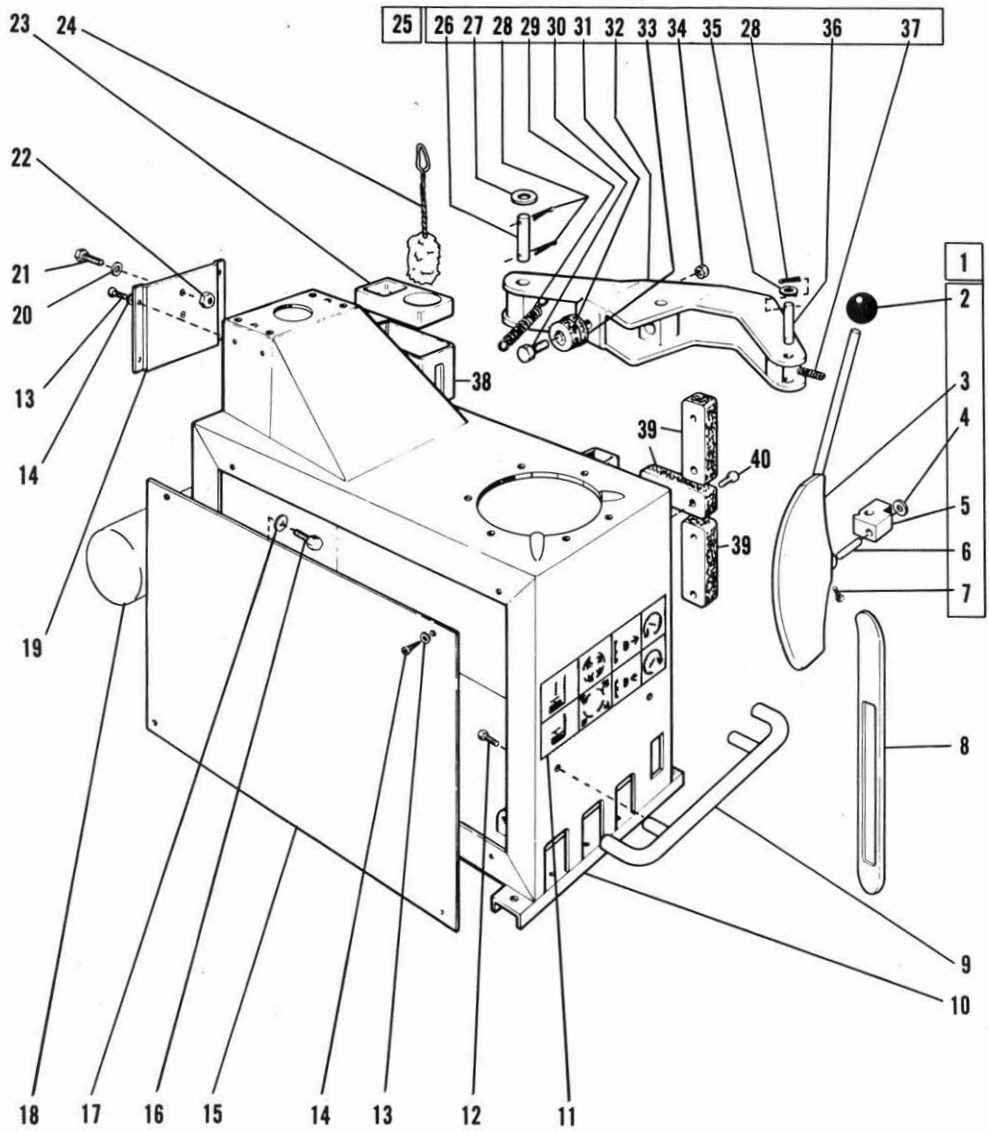
FILTER LUBRICATOR



FILTER LUBRICATOR

ITEM	PART NO.	QTY.	DESCRIPTION
1	30876	1	Elbow
2	22748	1	Lubricator (Includes: Filler Plug, "O" Rings, Element & Tube, and Bowl Assembly)
3	22747	1	Filter (Includes: Gaskets, Micron Element, Upper & Lower Baffle, Shroud, and Drain)
4	30865	1	Connector
5	23832	1	Tee, Male
6	23845	1	Fitting, Barb
7	23821	1	Bracket

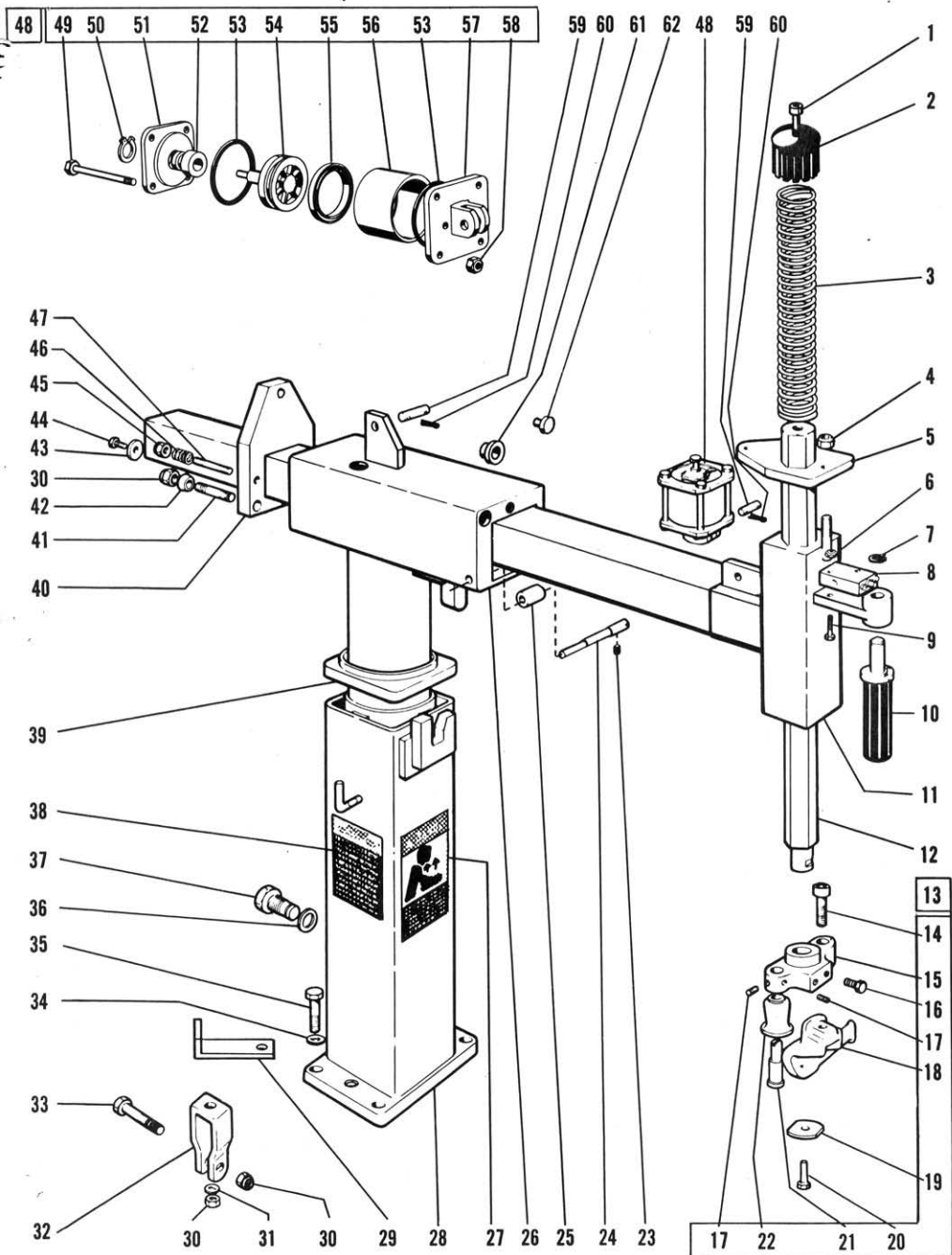
BASE ASSEMBLY



BASE ASSEMBLY

ITEM	PART NO.	QTY.	DESCRIPTION	ITEM	PART NO.	QTY.	DESCRIPTION
1	33360	1	Bead-Breaker Assembly	26	33110	1	Pin
2	33122	1	Knob	27	33108	2	Washer
3	33123	1	Bead-Breaker	28	33109	4	Key, Cotter
4	33119	1	Washer	29	33111	1	Spring
5	33117	1	Block, Articulating	30	33106	1	Bolt
6	33118	1	Pin	31	33112	1	Shock Absorber, Rubber
7	33120	1	Screw	32	33124	1	Arm, Bead-Breaker
8	33105	1	Tool, Tire	33	33113	1	Washer
9	33090	1	Guard, Pedal	34	33107	1	Nut
10	33089	1	Body	35	33114	1	Washer
11	22684	1	Decal, Pedal	36	33115	1	Pin
12	33092	2	Bolt	37	33116	1	Spring
13	33095	8	Washer	38	33102	1	Bottle, Lubricant
14	33094	8	Bolt	39	33103	3	Support, Wheel
15	33093	1	Panel, Side	40	33104	6	Bolt
16	237	2	Screw, Hex Head	25782		1	Decal Set (Not Shown)
17	278	2	Washer			1	Decal, Model
18	23818	1	Tank, Air			1	Decal, Pedal Graphics
19	23847	1	Cover, Rear			1	Decal, Danger
20	6081	2	Washer			1	Decal, Bead-Seat
21	5544	2	Screw			1	Decal, Danger Graphics
22	3528	2	Nut				
23	33101	1	Cover, Lubricant Bottle				
24	31401	1	Swab				
25	33359	1	Bead-Breaker Arm Assembly				

VERTICAL SWING-ARM ASSEMBLY



VERTICAL SWING-ARM ASSEMBLY

ITEM	PART NO.	QTY.	DESCRIPTION
1	33191	1	Bolt
2	33192	1	Knob
3	33194	1	Spring
4	33189	1	Nut
5	33190	1	Plate, Bar Locking
6	33187	2	Nut
7	33182	1	Ring, Snap
8	33185	1	Valve
9	33188	2	Bolt
10	33186	1	Valve, Hand
11	33179	1	Head, Mounting Bar
12	33195	1	Bar, Mounting
13	33362	1	Mounting Head Assembly
14	33207	1	Screw
15	33196	1	Mounting Head
16	33206	1	Screw
17	33204	2	Screw
18	33197	1	Reinforced Claw Assembly
19	33200	1	Washer
20	33201	1	Bolt
21	33202	1	Pin
22	33203	1	Roller
23	33178	1	Screw, Set
24	33177	1	Cam, Arm Roller
25	33176	1	Roller, Arm
26	33144	1	Arm, Automatic
27	22687	1	Decal, Danger
28	33140	1	Arm, Vertical
29	25443	1	Hook, Bead-Seating Ring
30	33138	4	Nut
31	33137	1	Washer
32	33139	1	Bracket
33	33136	1	Bolt
34	33135	4	Washer

ITEM	PART NO.	QTY.	DESCRIPTION
35	33134	4	Bolt
36	33133	1	Washer
37	33132	1	Bolt, w/Roll
38	22685	1	Decal, Safety Instructions
39	33143	1	Cover, Arm
40	33152	1	Flange, Arm Locking
41	33148	2	Rod, Tie
42	33147	2	Cone, Locking
43	33146	1	Washer
44	33145	1	Bolt
45	33149	2	Nut
46	33150	2	Spring, Locking
47	33151	2	Stud
48	33361	2	Cylinder Assembly
49	33170	4	Bolt
50	33156	1	Ring, Snap
51	33157	1	Flange, Front
52	33158	1	Bushing
53	33167	2	Ring, "O"
54	25656	1	Piston & Rod Assembly
55	33162	1	Gasket
56	33166	1	Casting
57	33168	1	Flange, Rear
58	33171	4	Nut
59	33153	2	Pin, Cylinder
60	33154	2	Key, Cotter
61	33175	1	Bushing
62	33174	1	Rod, Push
	22686	*1	Decal, Bead-Seating/ Inflation Precautions

* Not Shown

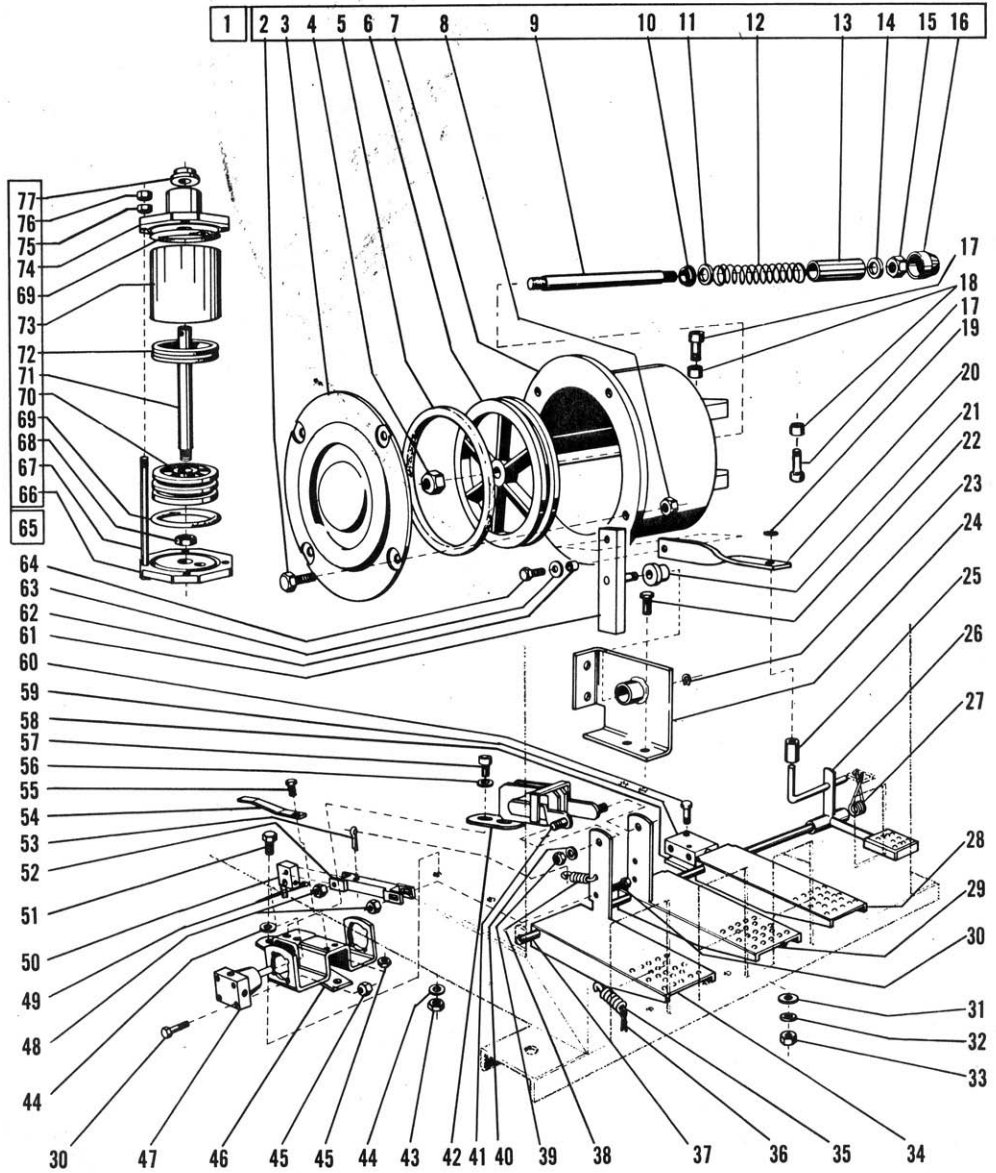
GEARBOX & TURNTABLE ASSEMBLY

ITEM	PART NO.	QTY.	DESCRIPTION
1	33240	1	Cap
2	33241	1	Nut
3	33242	1	Bolt
4	33243	1	Turntable
5	22696	1	Clamping Arm Assembly
6	33258	1	Ring, Snap
7	33258	1	Union, Rotating
8	33236	3	Ring, "O"
9	33234	1	Dipstick, Oil Filler
10	33246	4	Slide
11	33245	4	Clamp
12	33244	4	Bolt
13	25445	2	Plate
14	25606	2	Cylinder Assembly
15	33247	4	Plate, Slide
16	33233	4	Bolt
17	33251	8	Washer
18	33260	4	Pin, Cotter
19	33249	1	Rear Guide Assembly
20	33255	8	Bolt
21	25451	1	Ring, "O"
22	33231	1	Cover, Gearbox
23	25591	8	Bolt
24	33223	1	Flange, Rear Gearbox
25	33220	2	Bearing
26	25452	2	Ring, "O"
27	25446	1	Key
28	33228	1	Bolt
29	33227	1	Washer
30	33226	2	Bearing
31	33091	5	Nut, Gearbox
32	33225	1	Housing, Gearbox
33	33212	4	Grommet
34	30683	2	Pin, Cotter
35	23848	1	Plate, Motor Mounting
36	25449	1	Nut, Mounting
37	5614	4	Nut
38	20777	4	Washer
39	22757	1	Motor
40	236	4	Screw

ITEM	PART NO.	QTY.	DESCRIPTION
41	33210	1	Rod, Motor Support
42	25448	1	Bolt, Mounting
43	25454	1	Key
44	33213	1	Bar, Tie
45	33214	2	Washer
46	22761	1	Pulley & Set Screw Assembly
47	3161	1	Belt
48	33216	1	Washer
49	33215	1	Nut
50	33217	1	Pulley, Reduction
51	33218	1	Seal, Oil
52	33219	1	Flange, Front Gearbox
53	33221	1	Key
54	33222	1	Shaft, Worm Drive
55	33229	1	Gear
56	33230	1	Shaft, Turntable
57	33264	4	Rod, Tie
58	33262	1	Gasket, Lipped
59	33263	1	Flange, Front
60	33265	1	Shaft
61	33266	2	Ring, "O"
62	33267	1	Casting
63	33268	1	Seal
64	33269	1	Piston
65	33270	1	Nut
66	33272	4	Nut
67	33271	1	Flange, Rear
68	33215	8	Nut
69	33232	8	Bolt
70	33239	1	Pin
71	33256	1	Front Guide Assembly
72	33254	4	Nut
73	33253	12	Washer
74	33250	4	Spacer
75	25655	2	Spacer
76	26667	2	Washer, Wave
	*22757-1		Repair Kit For 22757 Motor

*Not Shown

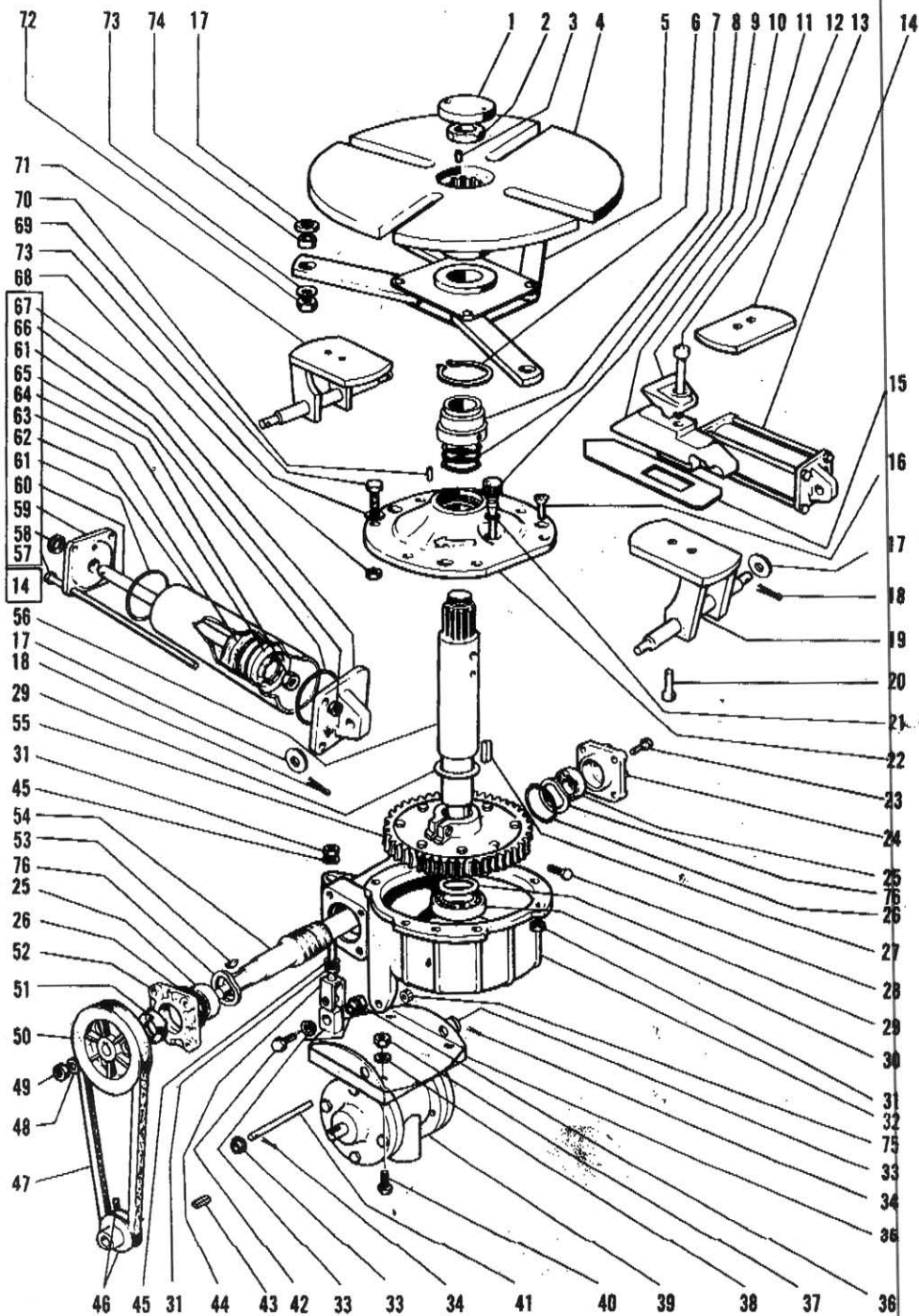
CONTROLS



CONTROLS

ITEM	PART NO.	QTY.	DESCRIPTION	ITEM	PART NO.	QTY.	DESCRIPTION
1	33368	1	Bead-Breaker Cylinder Assembly	40	33318	2	Washer
2	33330	4	Bolt	41	33316	1	Rod, Connecting
3	33332	1	Cover, Cylinder	42	33307	1	Cam
4	33333	1	Nut	43	33316	2	Nut
5	33334	1	Gasket, Lipped	44	33313	2	Washer
6	33335	1	Piston	45	33285	10	Nut
7	33337	1	Casting, Cylinder	46	33311	1	Support
8	33331	4	Nut	47	33287	2	Valve
9	33336	1	Shaft	48	33302	2	Nut
10	33340	1	Bushing, Nylon	49	33206	4	Screw, Set
11	33341	1	Gasket, Lipped	50	33097	2	Link
12	33342	1	Spring	51	33312	2	Bolt
13	33343	1	Tube, Sliding	52	33303	2	Rod, Connecting
14	33344	1	Washer	53	33305	2	Pin, Cotter
15	33345	1	Nut	54	33310	2	Spring, Leaf
16	33347	1	Cap, Shaft	55	33315	2	Bolt
17	33338	2	Bolt	56	33308	2	Washer
18	33339	2	Bushing	57	33309	2	Bolt
19	4059	1	Ring	58	33099	1	Plate, Mounting
20	23841	1	Link	59	33281	1	Valve
21	23842	1	Bushing	60	33282	2	Bolt
22	5544	4	Screw	61	23837	1	Valve Rocker Assembly
23	5520	1	Ring, Snap	62	23840	1	Bushing, Pivot
24	23834	1	Bracket Assembly	63	4379	1	Washer
25	23822	1	Spacer	64	6842	1	Screw, Hex Head
26	33325	1	Pedal, Turntable	65	33121	1	Lifting Arm Cylinder Assembly
27	33326	1	Spring, Reverse	66	33291	1	Flange, Lower
28	33324	1	Pedal, Bead-Breaker	67	33294	4	Rod, Tie
29	33322	1	Pedal, Chuck Jaw	68	33293	1	Nut
30	33289	12	Bolt	69	33292	2	Ring, "O"
31	20531	2	Washer	70	33295	1	Piston
32	6081	2	Washer	71	33358	1	Shaft
33	251	2	Nut	72	33296	2	Gasket
34	33319	1	Pedal, Vertical Swing-Arm	73	33297	1	Casting
35	33320	5	Spring	74	33298	1	Flange, Upper
36	33321	5	Pin, Cotter	75	33299	4	Nut
37	33323	1	Pin, Pedal	76	33300	4	Nut
38	33304	2	Spring	77	33301	1	Gasket, Lipped
39	33317	2	Nut				

GEARBOX & TURNTABLE ASSEMBLY



Footprint BeadBlasting Ring

